

4

3

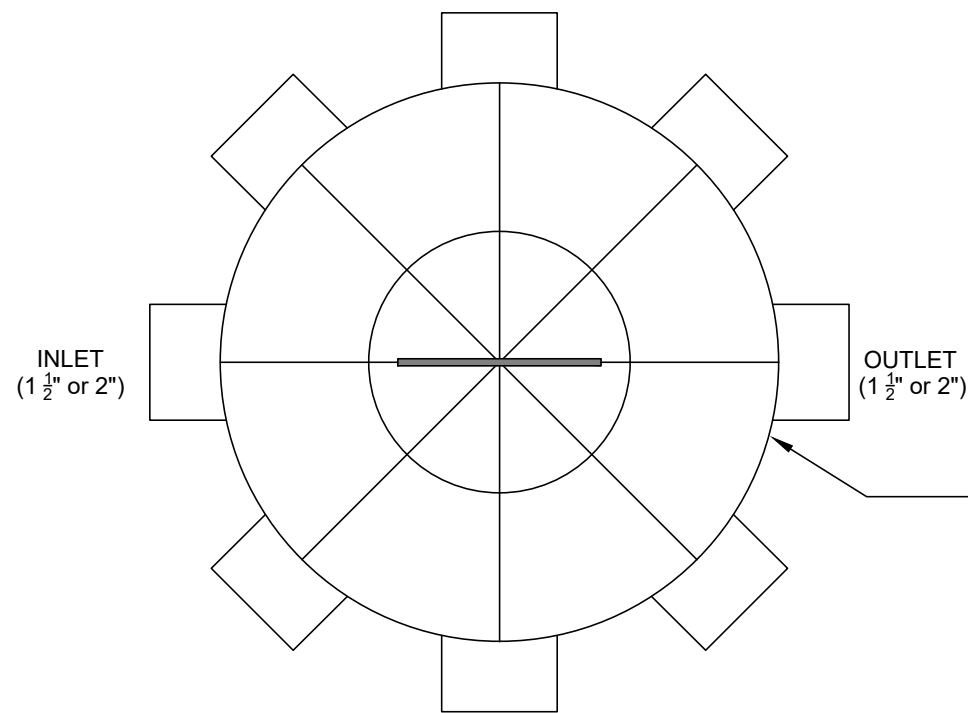
2

1

D

D

TOP VIEW



STANDARD FITTING LOCATIONS SHOWN.
PLEASE MAKE NECESSARY CHANGES ON TOP VIEW

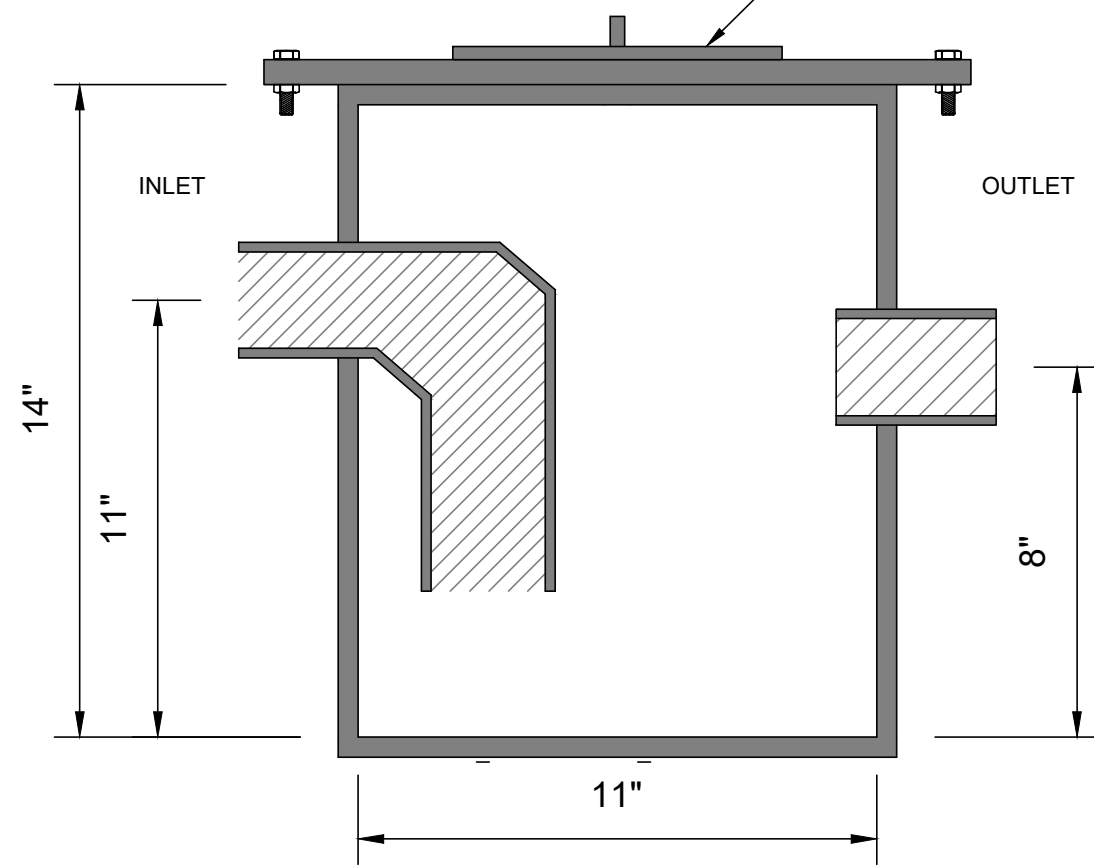
	FITTING SIZE	FITTING TYPE (MPT OR PLAIN END)	STANDARD FITTING CENTERLINES	FITTING CENTERLINE (IF DIFFERENT THAN STANDARD)
INLET	1 1/2" or 2"		11"	
OUTLET	1 1/2" or 2"		8"	

C

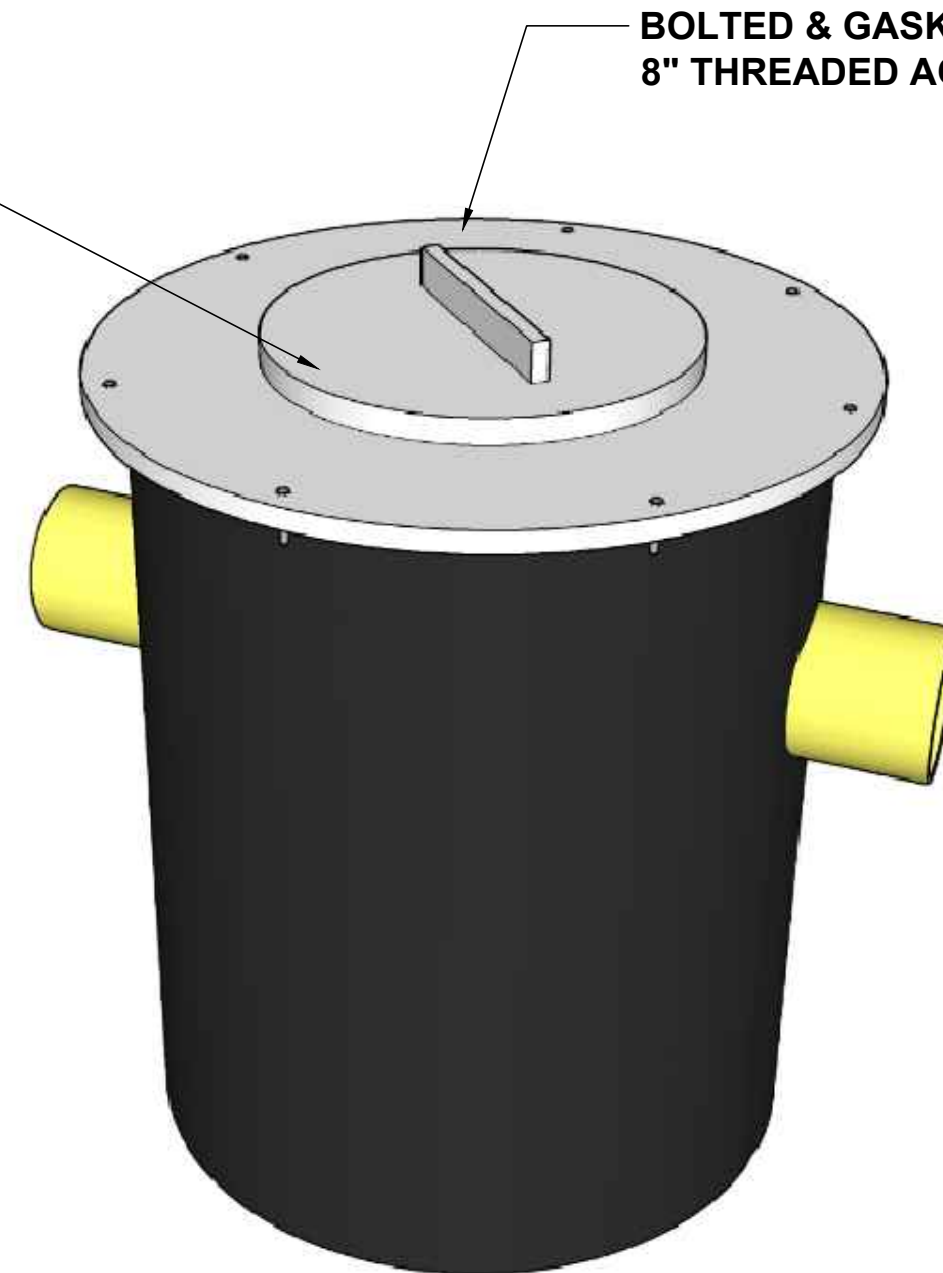
C

8" THREADED ACCESS COVER FOR EASY SERVICING

BOLTED & GASKETED COVER WITH 8" THREADED ACCESS COVER



SECTION VIEW



B

B

A

A

TANK GALLON CAPACITY: 3	WELDED BY:	UNLESS STATED OTHERWISE DIMENSIONS ARE IN INCHES	MATERIAL: HDPE - ASTM 2148			TITLE: NT-5A / HDPE NEUTRALIZATION TANK	NT SERIES	REV:	 WWW.TANDCPLASTICS.COM 732-780-5300
TANK GALLON CAPACITY WITH LIMESTONE: 1	COMPLETED BY:		WEIGHT (lb): 10 LBS.	DRAWN	DR	08/30/2022	SHEET 1 OF 1	SIZE:	
LIMESTONE REQUIRED: 50 LBS.	REVIEWED BY:		DO NOT SCALE DRAWING	CHECKED			SCALE: 1:2		
THE INFORMATION CONTAINED IN THIS DRAWING IS THE SOLE PROPERTY OF TOWN & COUNTRY PLASTICS LLC. ANY REPRODUCTION IN PART OR AS A WHOLE WITHOUT THE WRITTEN PERMISSION OF TOWN & PLASTICS LLC IS PROHIBITED.									

4

3

2

1