

4

3

2

1

D

D

C

C

B

B

A

A

PIPING DETAILS

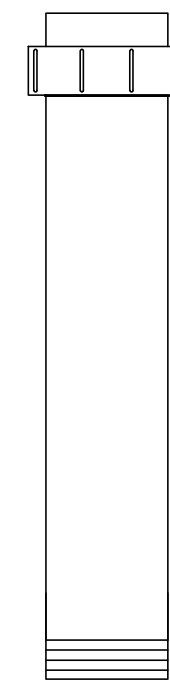
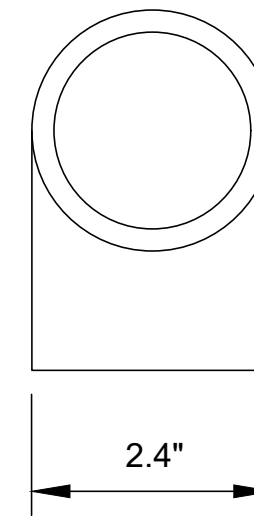
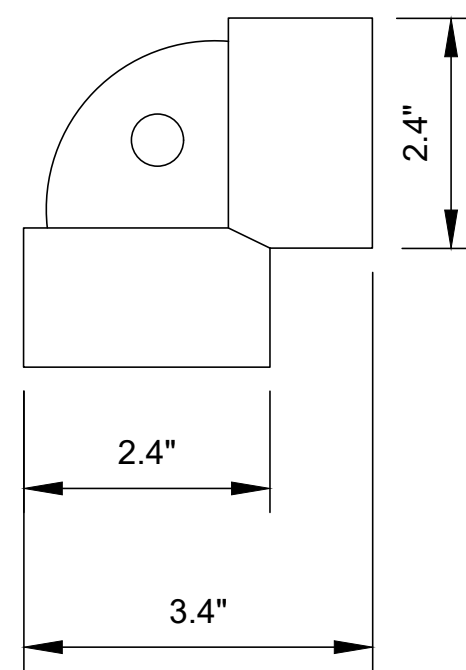
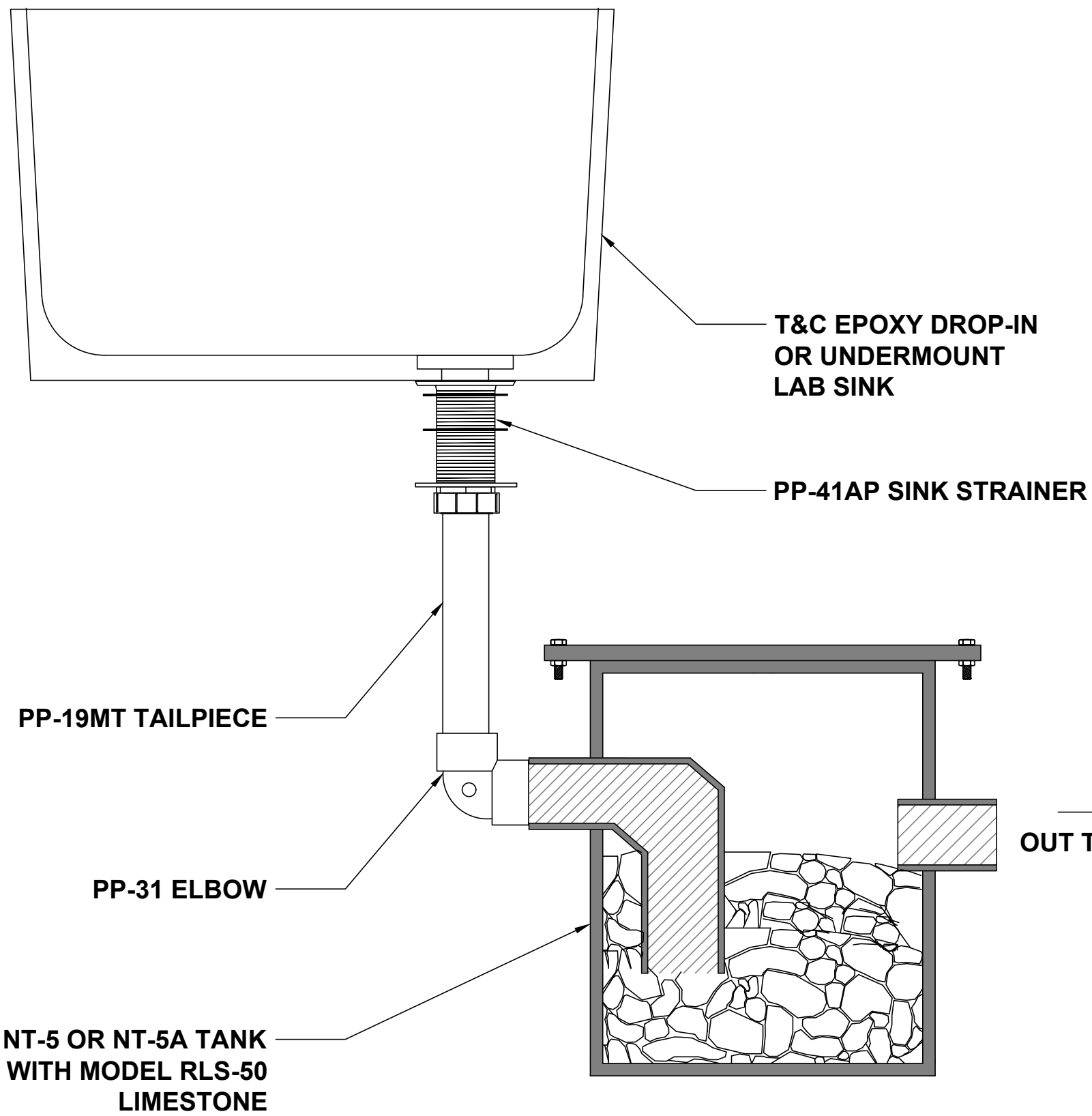
PP-31

PP-19MT

SIDE VIEW

END VIEW

SIDE VIEW

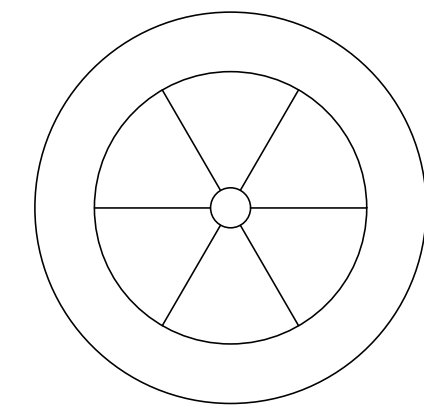
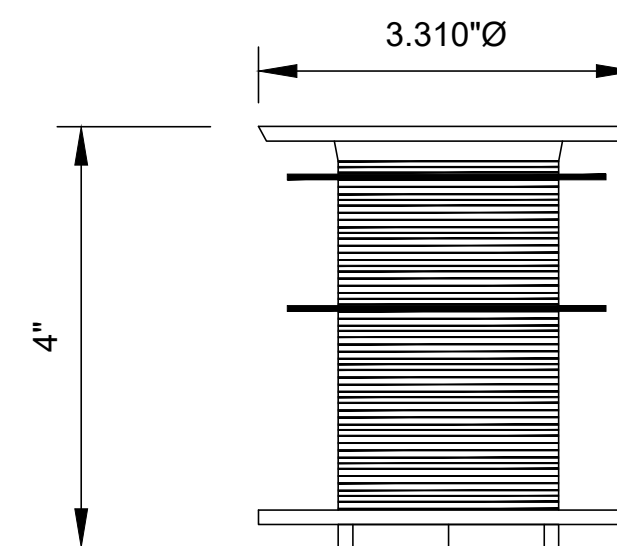


OUT TO SANITATION

PP-41AP

SIDE VIEW

TOP VIEW



1 1/2" SINK DISCHARGE AND FITTINGS SHOWN. FOR 2" FITTINGS PLEASE USE MODEL PP-40AM, PP-21MT, AND PP-30

TANK GALLON CAPACITY: 3	WELDED BY:	UNLESS STATED OTHERWISE DIMENSIONS ARE IN INCHES	MATERIAL:			TITLE: T&C POINT OF USE TANK PIPING DETAILS	NT SERIES	REV:	T&C PLASTICS WWW.TANDCPLASTICS.COM 732-780-5300	
TANK GALLON CAPACITY WITH LIMESTONE: 1	COMPLETED BY:		WEIGHT [lb]:	NAME	DATE			SHEET 1 OF 1		SIZE:
LIMESTONE REQUIRED: 50 LBS.	REVIEWED BY:		DO NOT SCALE DRAWING	DRAWN	DR			08/30/2022		SCALE: 1:2
THE INFORMATION CONTAINED IN THIS DRAWING IS THE SOLE PROPERTY OF TOWN & COUNTRY PLASTICS LLC. ANY REPRODUCTION IN PART OR AS A WHOLE WITHOUT THE WRITTEN PERMISSION OF TOWN & COUNTRY PLASTICS LLC IS PROHIBITED.										

4

3

2

1