

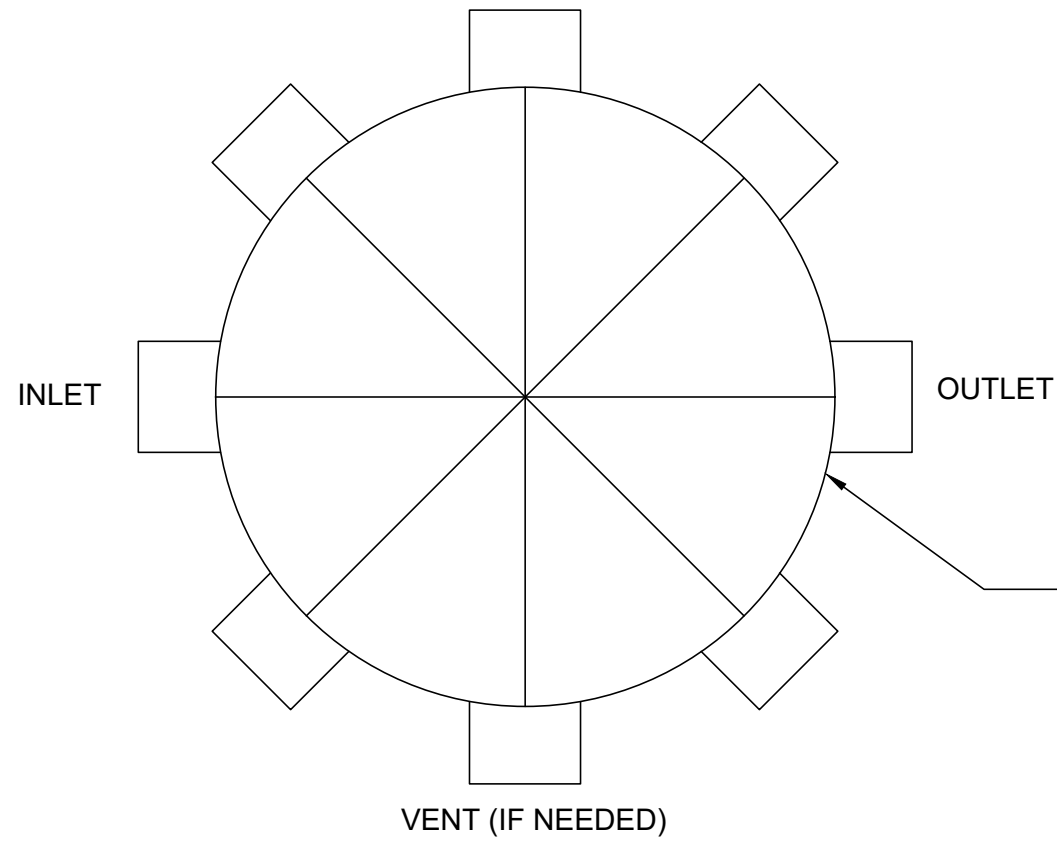
4

3

2

1

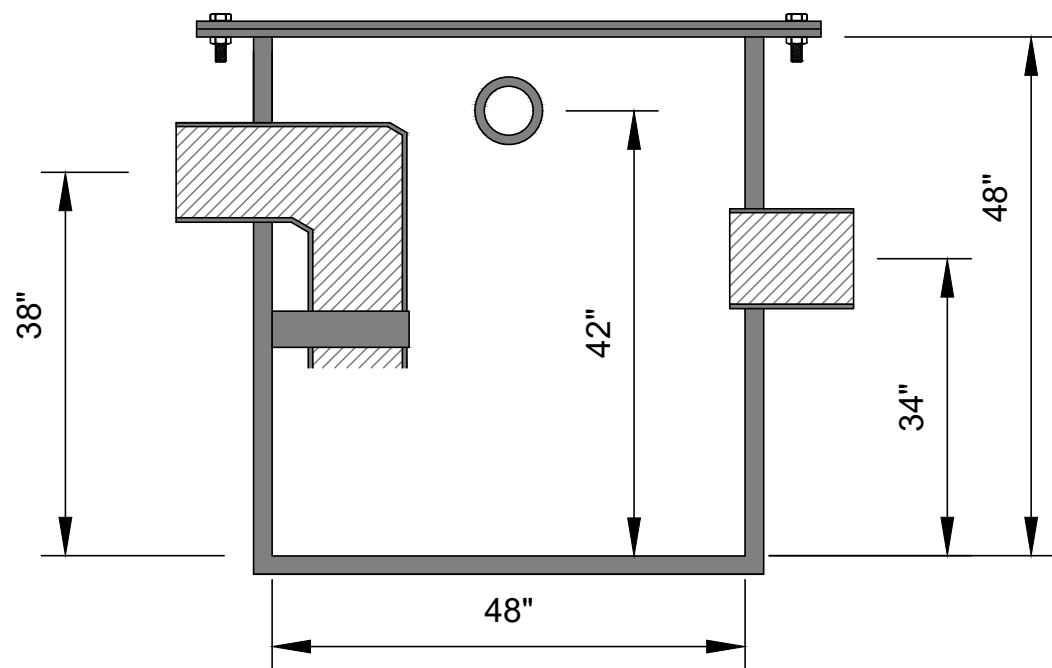
**TOP VIEW**



**STANDARD FITTING LOCATIONS SHOWN.  
PLEASE MAKE NECESSARY CHANGES ON TOP VIEW**

	FITTING SIZE	FITTING TYPE (MPT OR PLAIN END)	STANDARD FITTING CENTERLINES	FITTING CENTERLINE (IF DIFFERENT THAN STANDARD)
INLET			38"	
OUTLET			34"	
VENT (IF NEEDED)			42"	

**SECTION VIEW**



BOLTED & GASKETED COVER



TANK GALLON CAPACITY:  
**243**

WELDED BY:

UNLESS STATED OTHERWISE DIMENSIONS ARE IN INCHES

MATERIAL:  
**HDPE - ASTM 2148**

TITLE:  
**NT-350 / HDPE  
NEUTRALIZATION TANK**

NT SERIES

REV:

**T&C  
PLASTICS**

TANK GALLON CAPACITY WITH LIMESTONE:  
**81**

COMPLETED BY:

WEIGHT [lb]:  
**200 LBS.**

DO NOT SCALE DRAWING

	NAME	DATE
DRAWN	DR	08/30/2022
CHECKED		

SCALE: 1:2

SHEET 1 OF 1

SIZE:

WWW.TANDCPLASTICS.COM  
732-780-5300

LIMESTONE REQUIRED:  
**4,000 LBS.**

REVIEWED BY:

THE INFORMATION CONTAINED IN THIS DRAWING IS THE SOLE PROPERTY OF TOWN & COUNTRY PLASTICS LLC. ANY REPRODUCTION IN PART OR AS A WHOLE WITHOUT THE WRITTEN PERMISSION OF TOWN & PLASTICS LLC IS PROHIBITED.

4

3

2

1

D

D

C

C

B

B

A

A