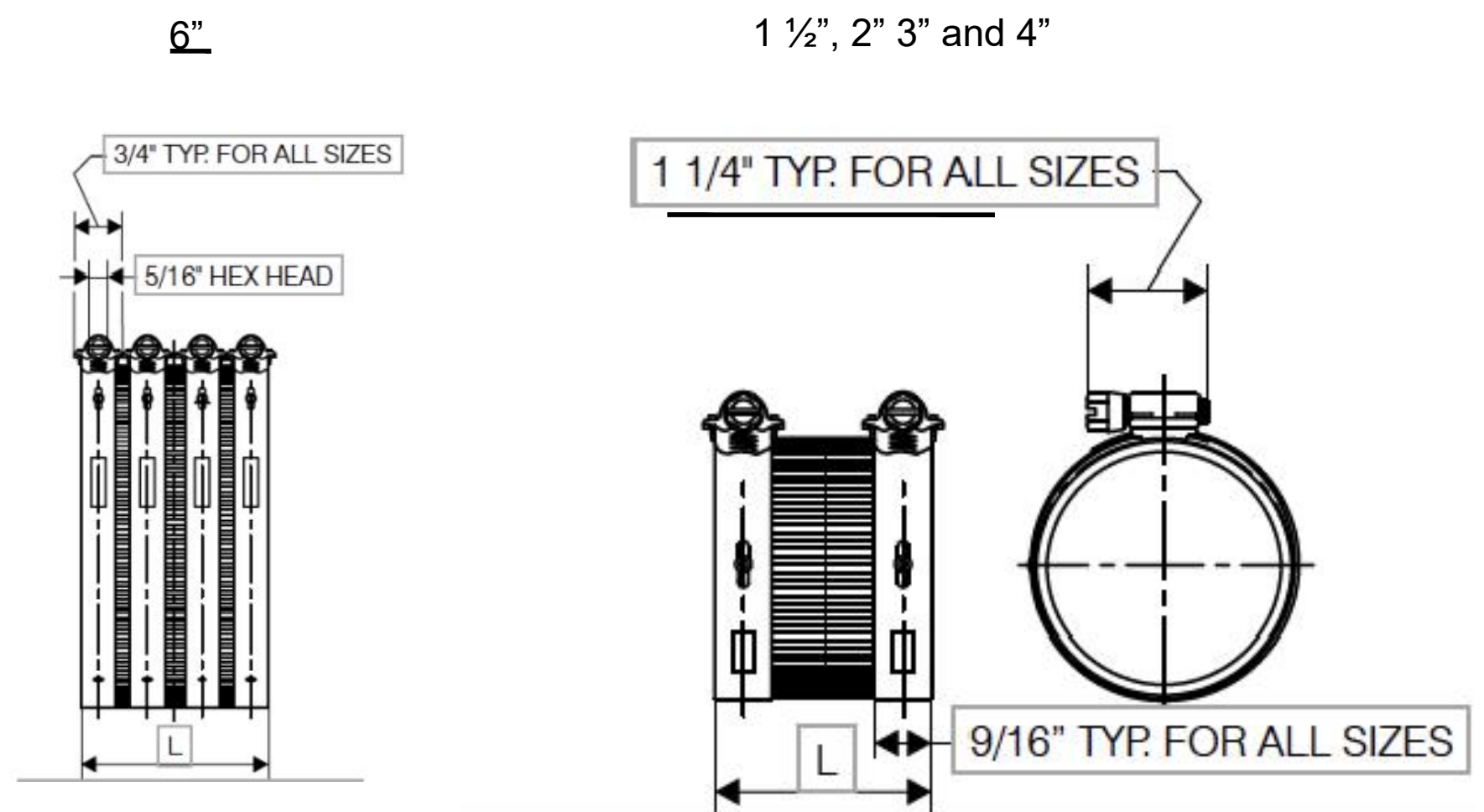


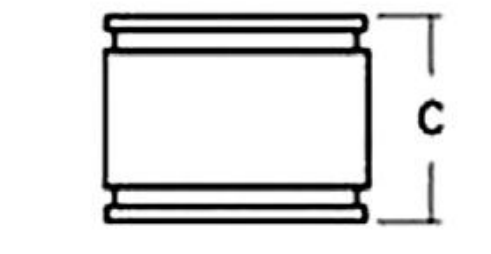
# Acid Resistant No-Hub Couplings for Plain End Pipe Connections

## Material Specifications:

- Bands - Type 301 AISI stainless steel (Minimum tensile 165,000 psi).
- Eyelets - Type 301 AISI stainless steel.
- Gasket - Chemical Resistant Neoprene
- Screw Housing - Type 304 AISI stainless steel.
- Screws - Type 305 AISI stainless steel
- Shield - Type 301 AISI stainless



Model Number	Pipe Size (Normal Dia)	C-Height Dimension	Number of Clamps	Band Width (Clamp)
AWC-150	1 1/2"	2 1/8"	2	9/16"
AWC-200	2"	2 1/8"	2	9/16"
AWC-300	3"	2 1/8"	2	9/16"
AWC-400	4"	2 1/8"	2	9/16"
AWC-600	6"	2 1/8"	4	9/16"



FOB Marlboro, NJ  
 Quantities of 10 or more qualify for FFA  
 No Minimum Quantity Required

UNLESS STATED OTHERWISE DIMENSIONS ARE IN INCHES	MATERIAL:			TITLE:  <b>AWC</b>	SHEET 1 OF 1	REV:	<b>T&amp;C PLASTICS</b> WWW.TANDCPLASTICS.COM 732-780-5300	
	WEIGHT [lb]:		NAME			DATE		SIZE:
	DO NOT SCALE DRAWING		DRAWN			DR		11/09/2022
		CHECKED						