

4

3

2

1

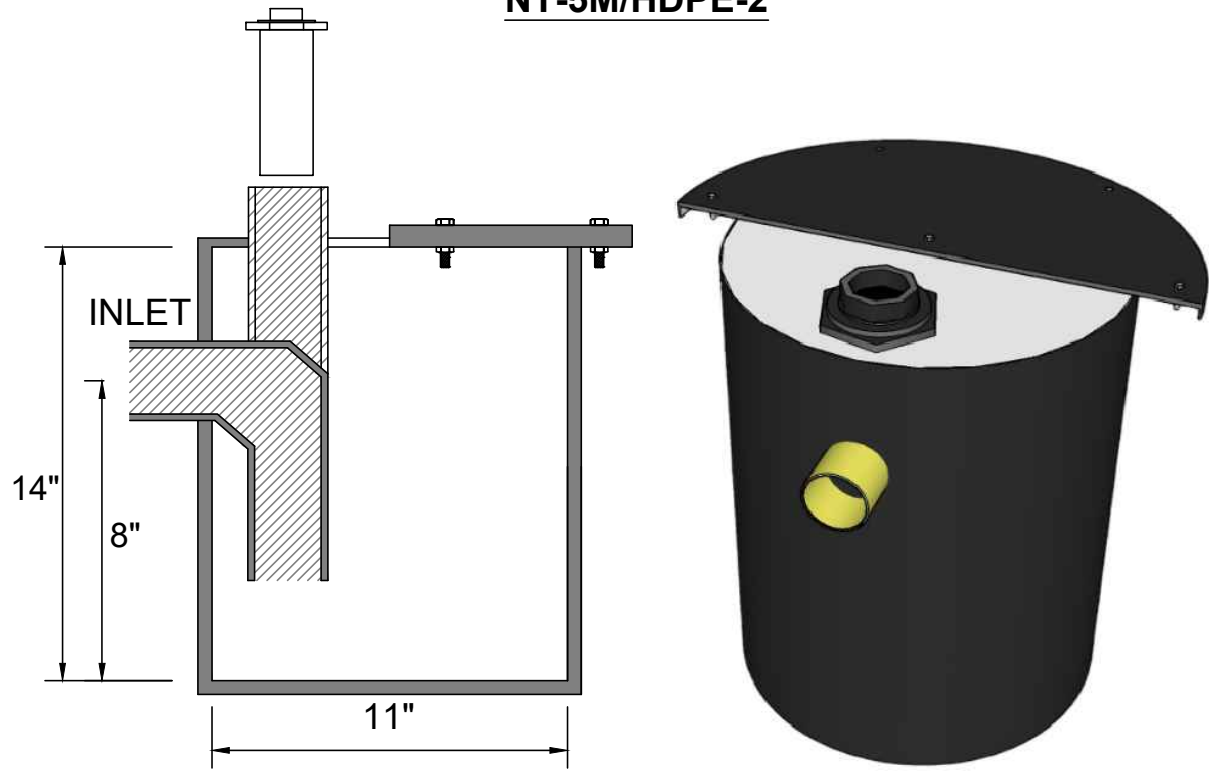
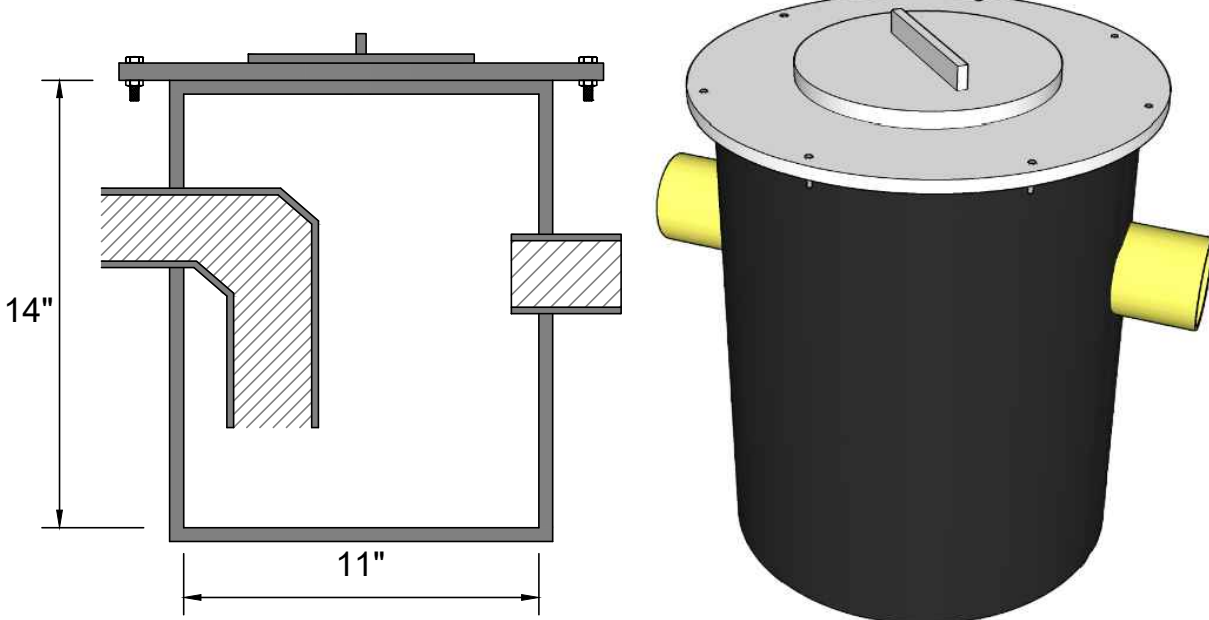
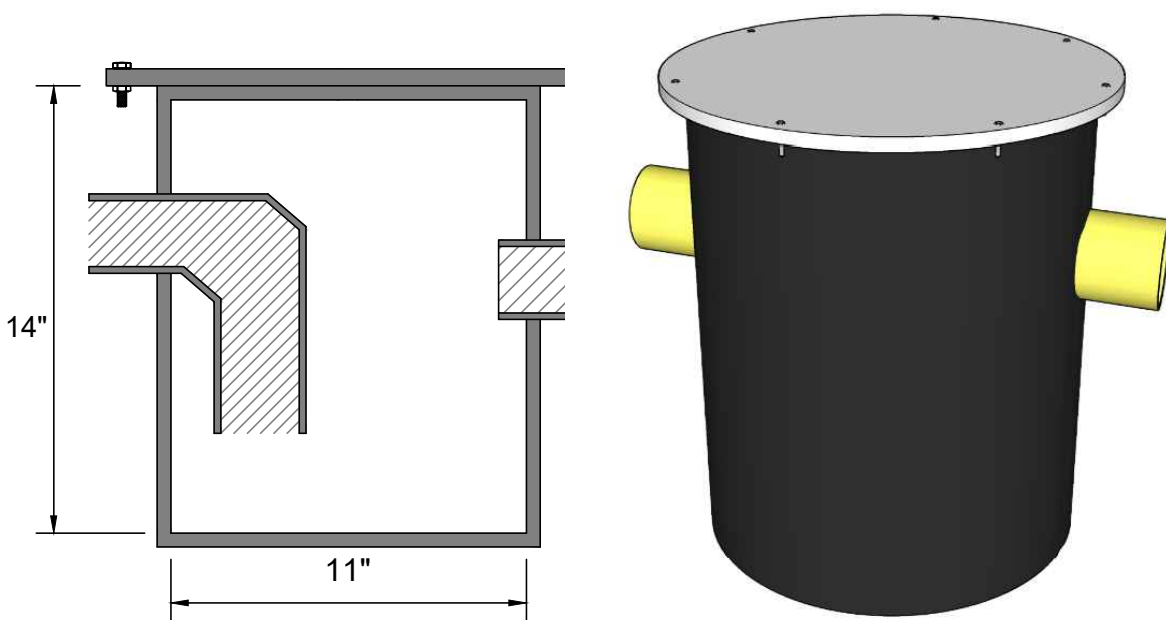
D

D

NT-5/HDPE

NT-5A/HDPE

NT-5M/HDPE-2



NT-5/HDPE IS OUR STANDARD 5 GALLON POINT OF USE TANK. IT COMES WITH 1 1/2" OR 2" FITTINGS & BOLTED COVER.

THE NT-5A IS THE SAME AS THE NT-5 WITH THE ADDITION OF AN 8" THREADED MANWAY IN THE COVER FOR EASY SERVICING.

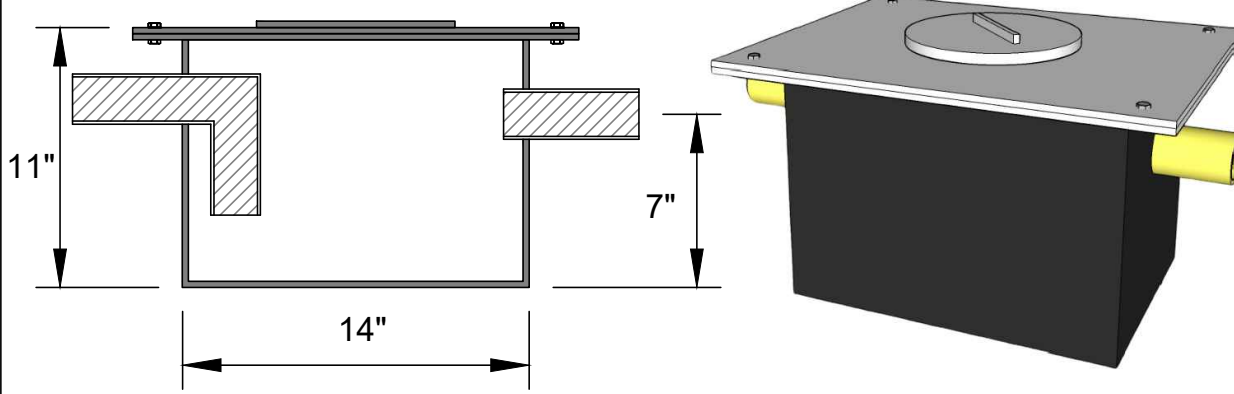
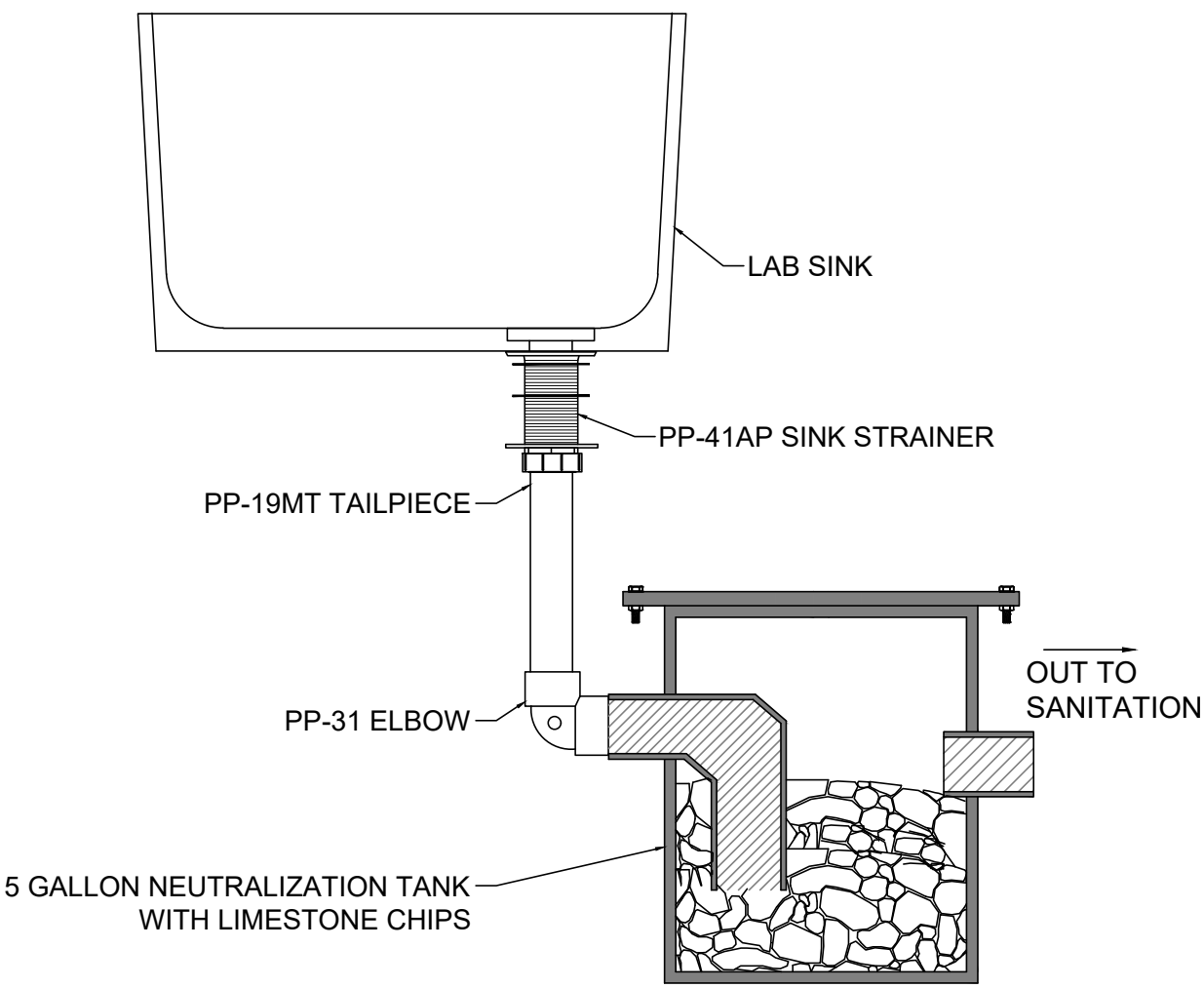
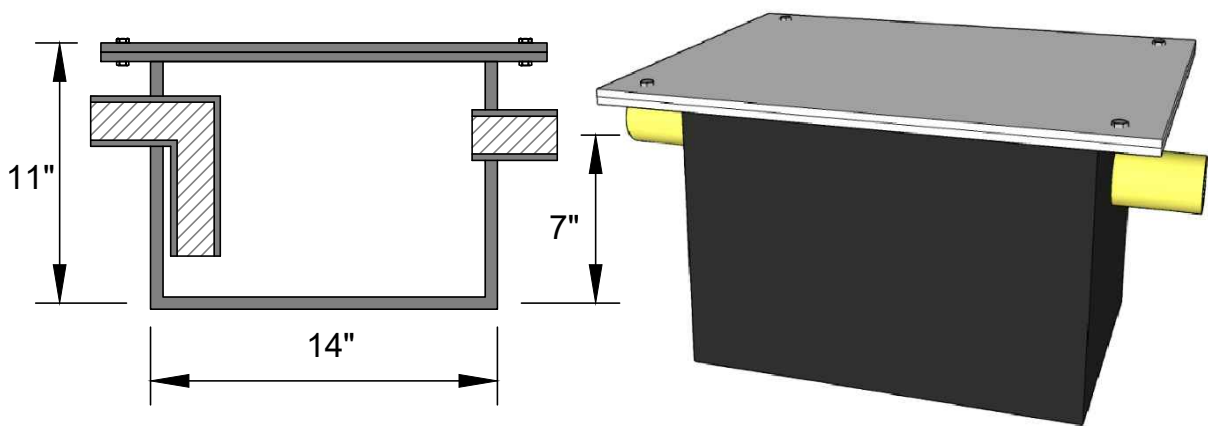
THE NT-5M/HDPE-2 IS A TOP INLET NT-5. IT HAS A HALF-WELDED COVER WITH FEMALE THREADED TOP INLET, SIDE OUTLET, & HALF COVER FOR SERVICING.

C

C

NTR-5/HDPE

NTR-5A/HDPE



THE NTR-5 IS A 5 GALLON UNDER SINK NEUTRALIZATION TANK WITH 1 1/2" OR 2" FITTINGS AND BOLTED COVER.

5 GALLON NEUTRALIZATION TANK WITH LIMESTONE CHIPS

THE NTR-5A IS THE SAME AS NTR-5 WITH THE ADDITION OF AN 8" THREADED MANWAY IN THE COVER FOR EASY SERVICING.

B

B

A

A

TANK GALLON CAPACITY: 3 Gallons	WELDED BY:	UNLESS STATED OTHERWISE DIMENSIONS ARE IN INCHES	MATERIAL: HDPE - ASTM 2148			TITLE: T&C POINT OF USE 5 GALLON NT TANK OPTIONS	NT SERIES	REV:	 T&C PLASTICS WWW.TANDCPLASTICS.COM 732-780-5300
TANK GALLON CAPACITY WITH LIMESTONE: 1 Gallon	COMPLETED BY:		WEIGHT [lb]:	NAME	DATE		SHEET 1 OF 1	SIZE:	
LIMESTONE REQUIRED: 50 lbs	REVIEWED BY:		DO NOT SCALE DRAWING	CHECKED	08/30/2022		SCALE: 1:2		
THE INFORMATION CONTAINED IN THIS DRAWING IS THE SOLE PROPERTY OF TOWN & COUNTRY PLASTICS LLC. ANY REPRODUCTION IN PART OR AS A WHOLE WITHOUT THE WRITTEN PERMISSION OF TOWN & PLASTICS LLC IS PROHIBITED.									

4

3

2

1