

4

3

2

1

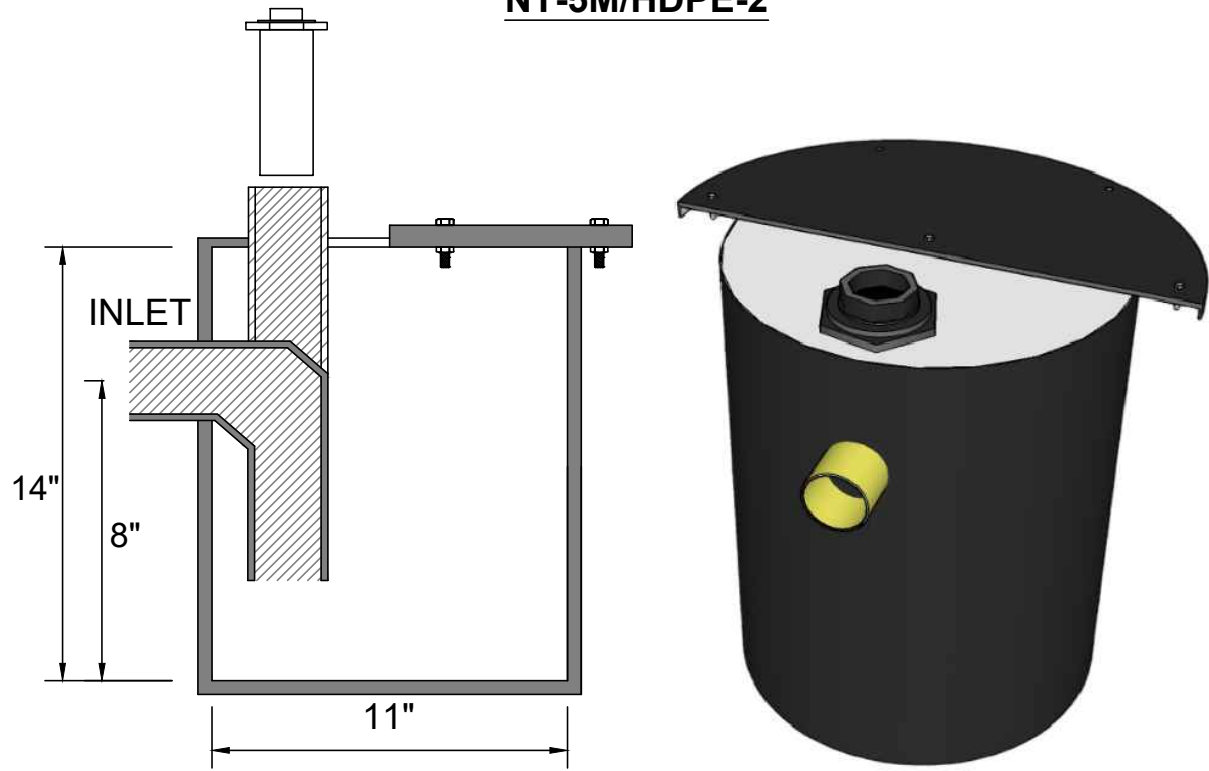
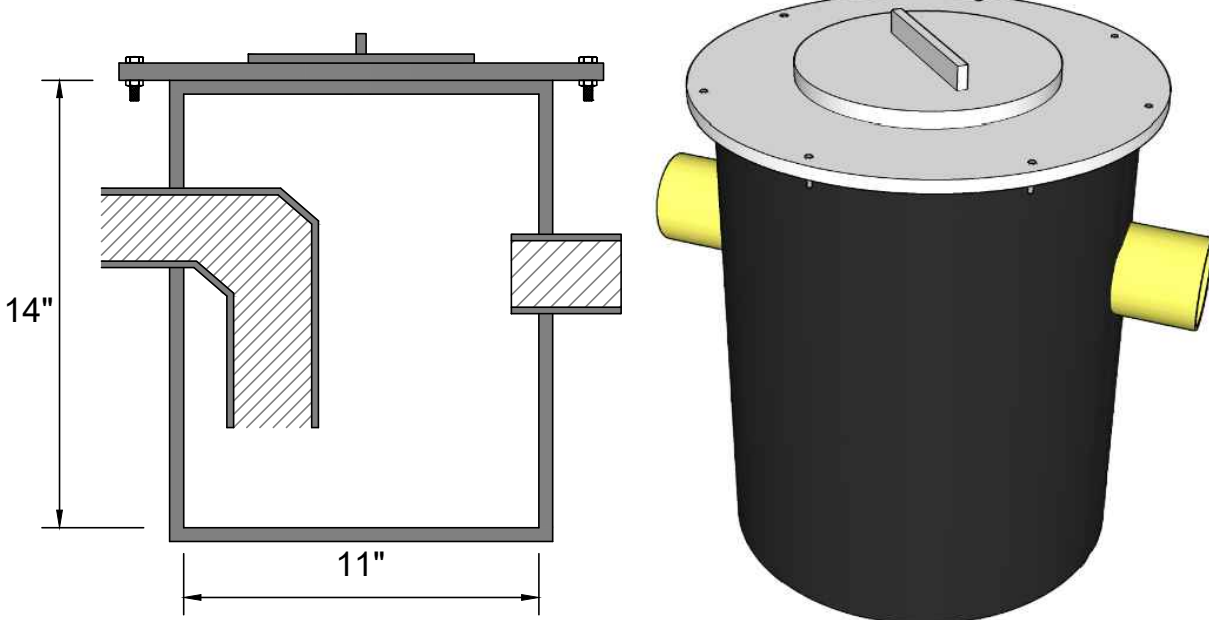
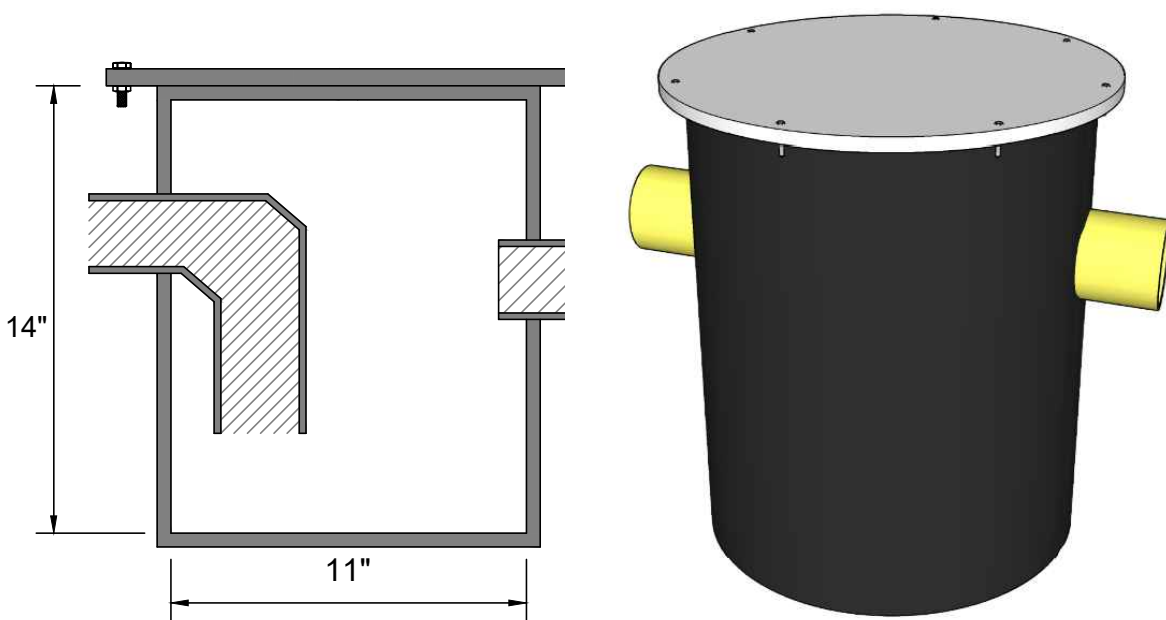
D

D

NT-5/HDPE

NT-5A/HDPE

NT-5M/HDPE-2



NT-5/HDPE IS OUR STANDARD 5 GALLON POINT OF USE TANK. IT COMES WITH 1 1/2" OR 2" FITTINGS & BOLTED COVER.

THE NT-5A IS THE SAME AS THE NT-5 WITH THE ADDITION OF AN 8" THREADED MANWAY IN THE COVER FOR EASY SERVICING.

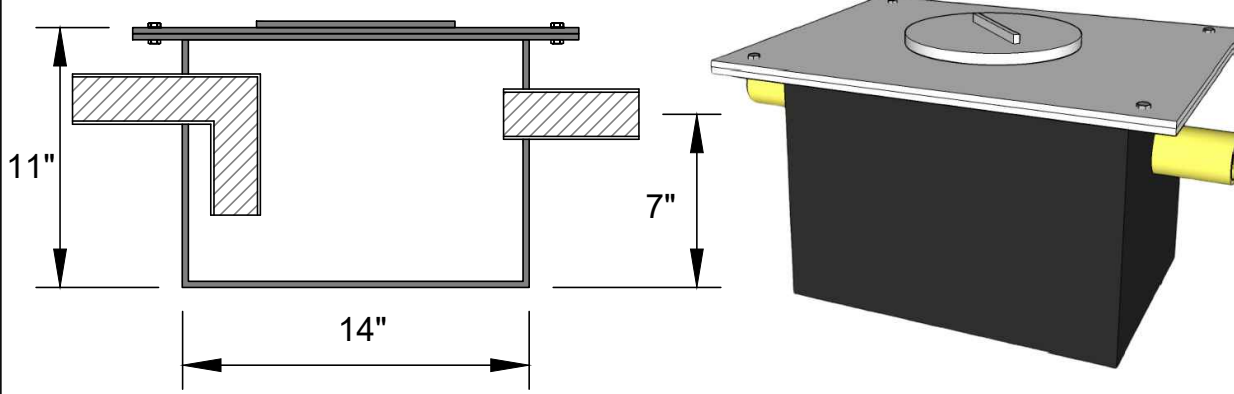
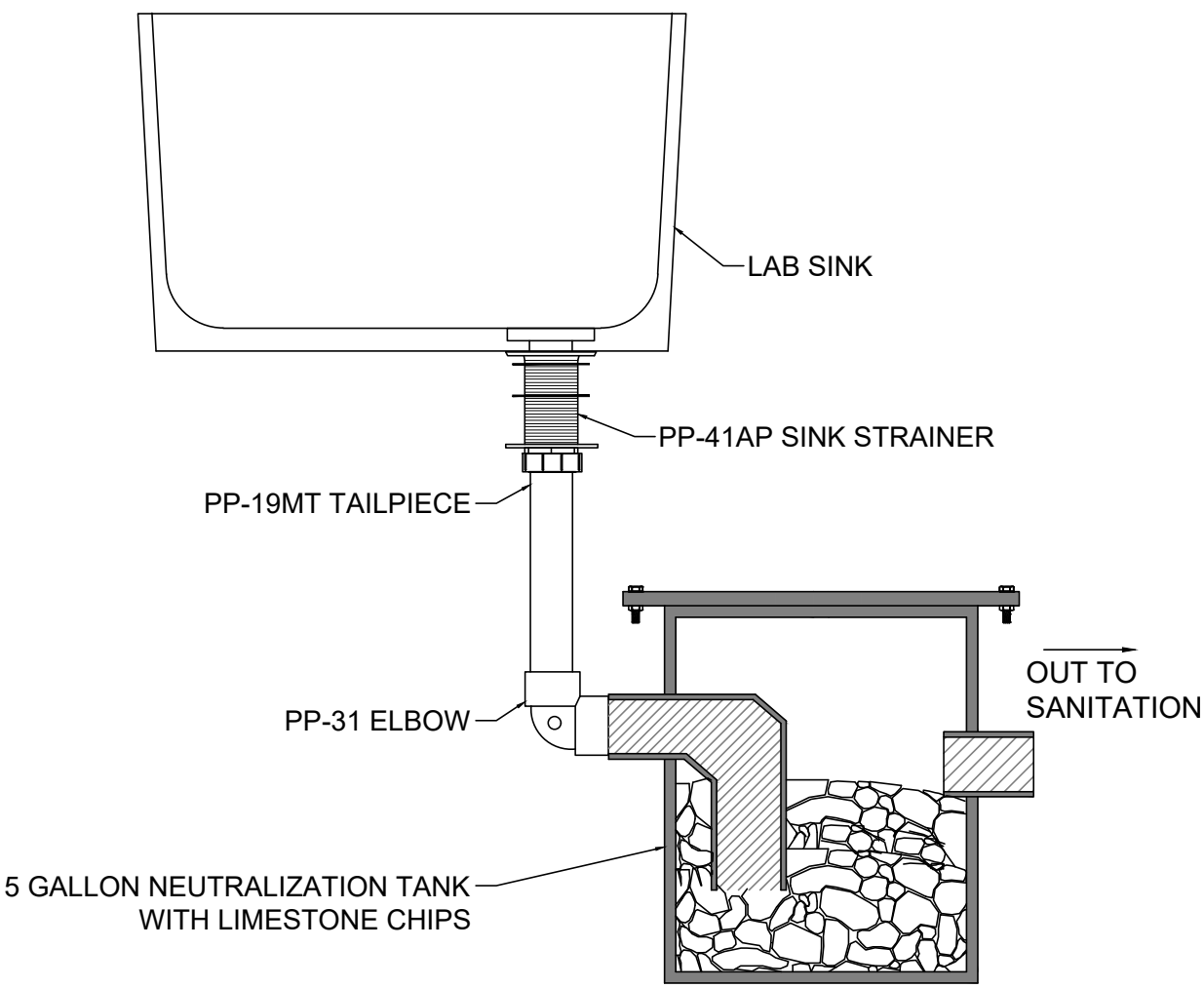
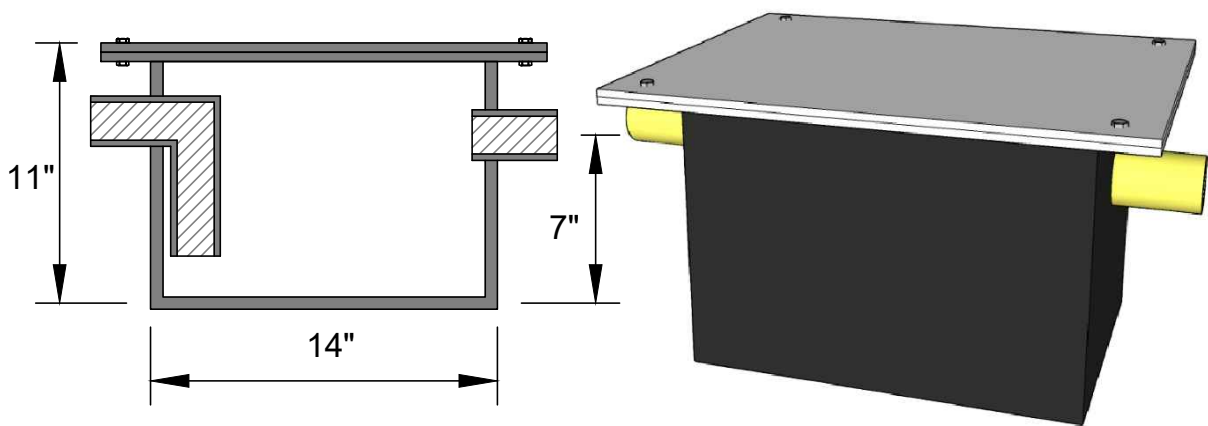
THE NT-5M/HDPE-2 IS A TOP INLET NT-5. IT HAS A HALF-WELDED COVER WITH FEMALE THREADED TOP INLET, SIDE OUTLET, & HALF COVER FOR SERVICING.

C

C

NTR-5/HDPE

NTR-5A/HDPE



THE NTR-5 IS A 5 GALLON UNDER SINK NEUTRALIZATION TANK WITH 1 1/2" OR 2" FITTINGS AND BOLTED COVER.

5 GALLON NEUTRALIZATION TANK WITH LIMESTONE CHIPS

THE NTR-5A IS THE SAME AS NTR-5 WITH THE ADDITION OF AN 8" THREADED MANWAY IN THE COVER FOR EASY SERVICING.

B

B

A

A

TANK GALLON CAPACITY: 3 Gallons	WELDED BY:	UNLESS STATED OTHERWISE DIMENSIONS ARE IN INCHES	MATERIAL: HDPE - ASTM 2148			TITLE: T&C POINT OF USE 5 GALLON NT TANK OPTIONS	NT SERIES	REV:	T&C PLASTICS WWW.TANDCPLASTICS.COM 732-780-5300	
TANK GALLON CAPACITY WITH LIMESTONE: 1 Gallon	COMPLETED BY:		WEIGHT [lb]:	NAME	DATE			SHEET 1 OF 1		SIZE:
LIMESTONE REQUIRED: 50 lbs	REVIEWED BY:		DO NOT SCALE DRAWING	CHECKED	08/30/2022			SCALE: 1:2		
THE INFORMATION CONTAINED IN THIS DRAWING IS THE SOLE PROPERTY OF TOWN & COUNTRY PLASTICS LLC. ANY REPRODUCTION IN PART OR AS A WHOLE WITHOUT THE WRITTEN PERMISSION OF TOWN & PLASTICS LLC IS PROHIBITED.										

4

3

2

1

4

3

2

1

D

D

C

C

B

B

A

A

PIPING DETAILS

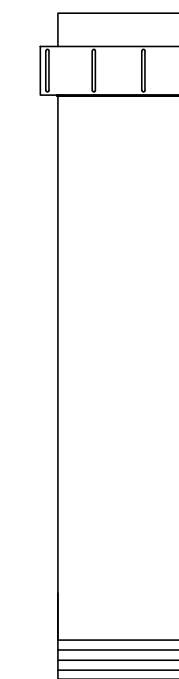
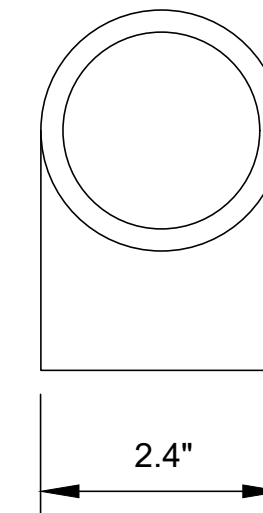
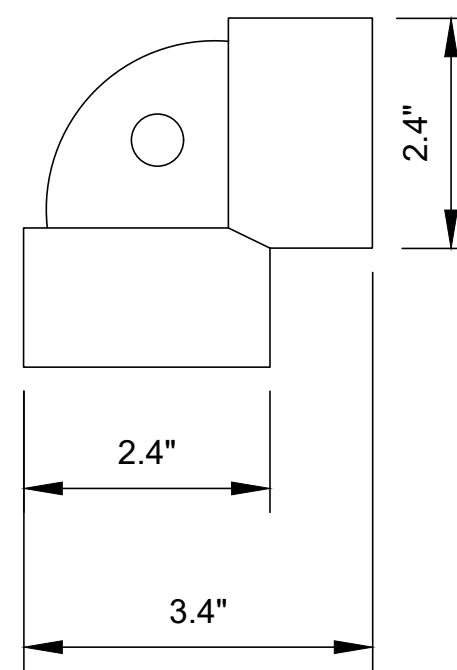
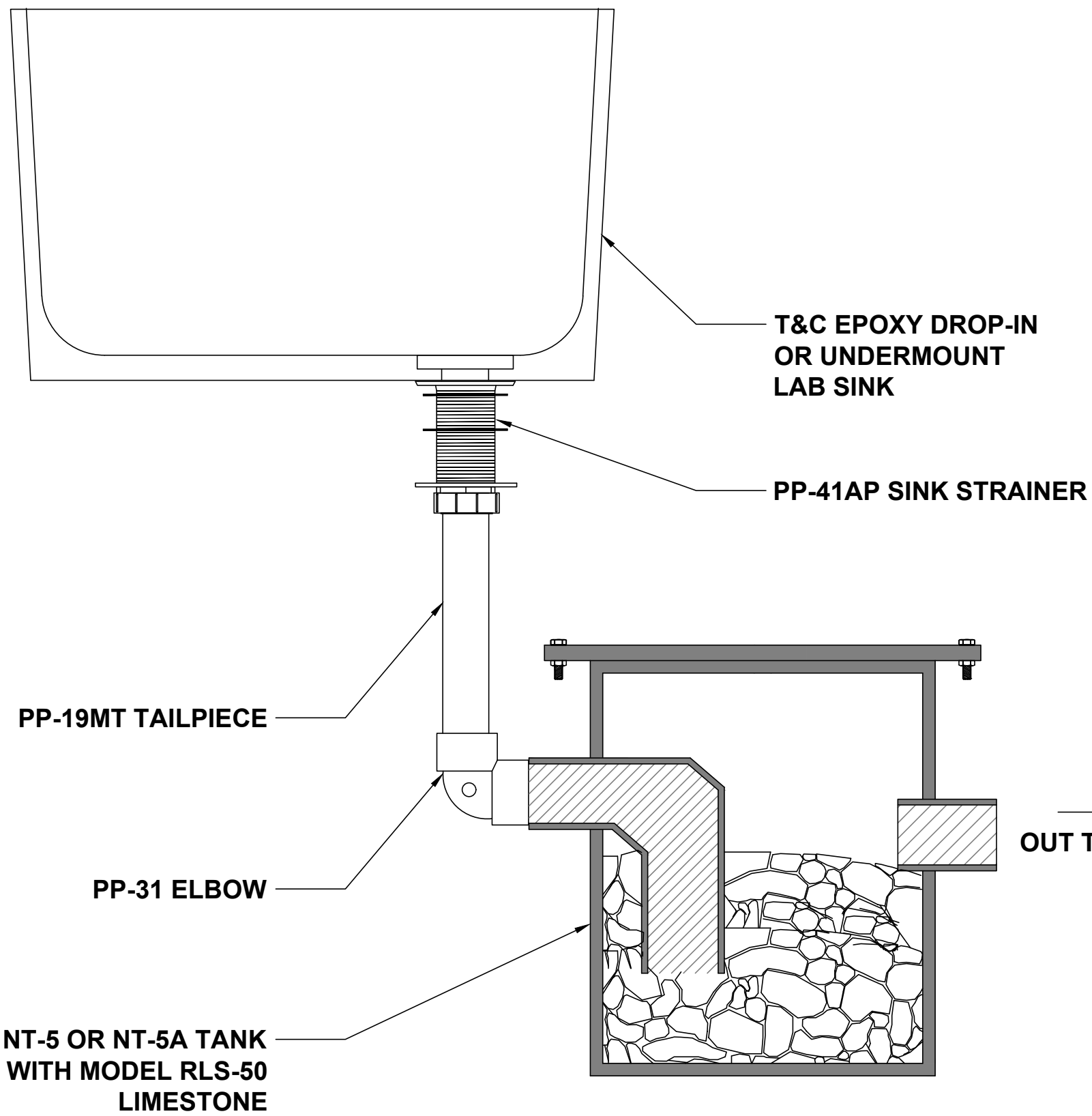
PP-31

PP-19MT

SIDE VIEW

END VIEW

SIDE VIEW

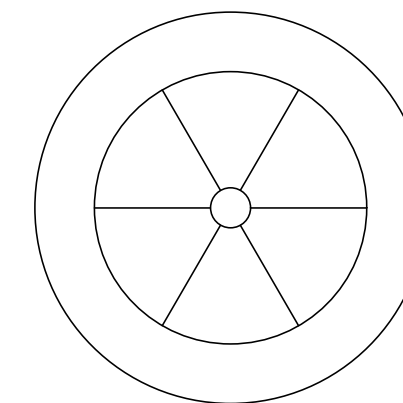
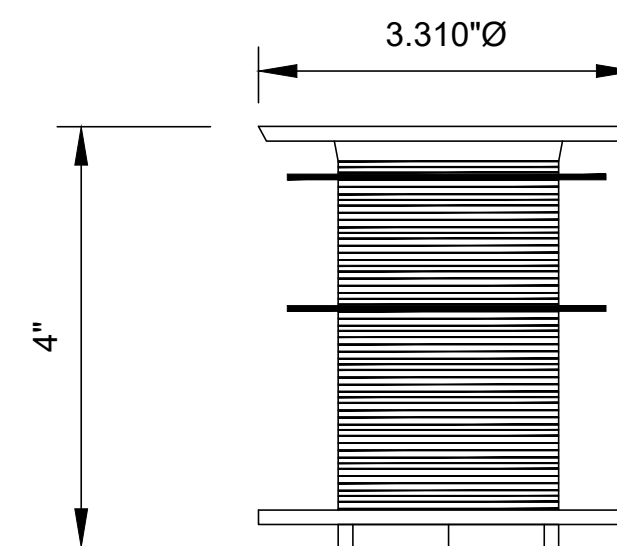


OUT TO SANITATION

PP-41AP

SIDE VIEW

TOP VIEW



1 1/2" SINK DISCHARGE AND FITTINGS SHOWN. FOR 2" FITTINGS PLEASE USE MODEL PP-40AM, PP-21MT, AND PP-30

TANK GALLON CAPACITY: 3	WELDED BY:	UNLESS STATED OTHERWISE DIMENSIONS ARE IN INCHES	MATERIAL:			TITLE: T&C POINT OF USE TANK PIPING DETAILS	NT SERIES	REV:	T&C PLASTICS WWW.TANDCPLASTICS.COM 732-780-5300	
TANK GALLON CAPACITY WITH LIMESTONE: 1	COMPLETED BY:		WEIGHT [lb]:	NAME	DATE			SHEET 1 OF 1		SIZE:
LIMESTONE REQUIRED: 50 LBS.	REVIEWED BY:		DO NOT SCALE DRAWING	DRAWN	DR			08/30/2022		SCALE: 1:2
THE INFORMATION CONTAINED IN THIS DRAWING IS THE SOLE PROPERTY OF TOWN & COUNTRY PLASTICS LLC. ANY REPRODUCTION IN PART OR AS A WHOLE WITHOUT THE WRITTEN PERMISSION OF TOWN & COUNTRY PLASTICS LLC IS PROHIBITED.										

4

3

2

1

4

3

2

1

D

D

C

C

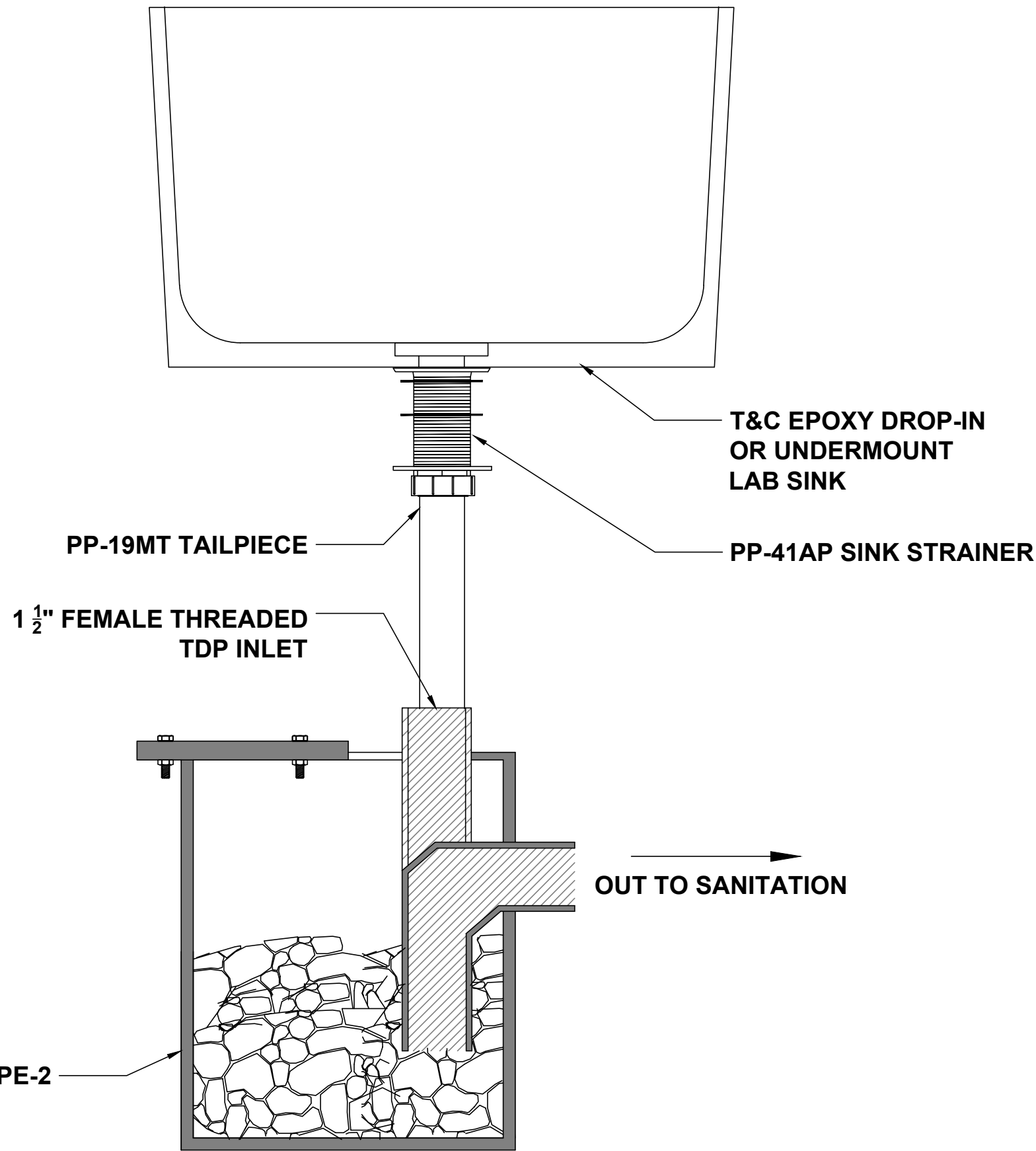
B

B

A

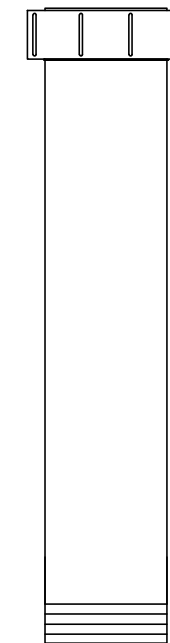
A

PIPING DETAILS



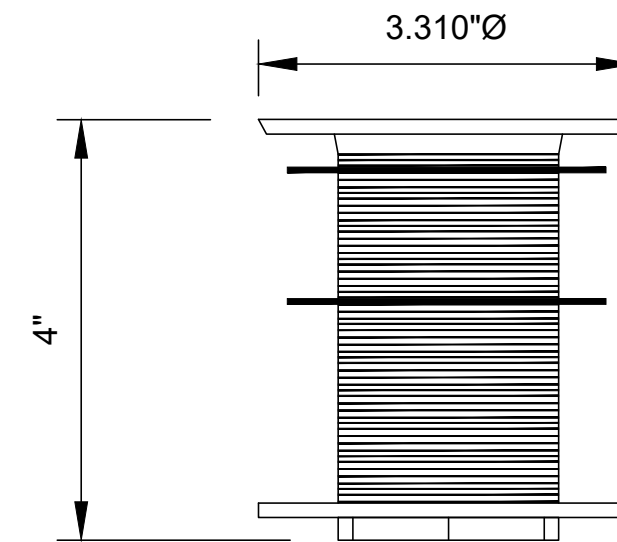
PP-19MT

SIDE VIEW

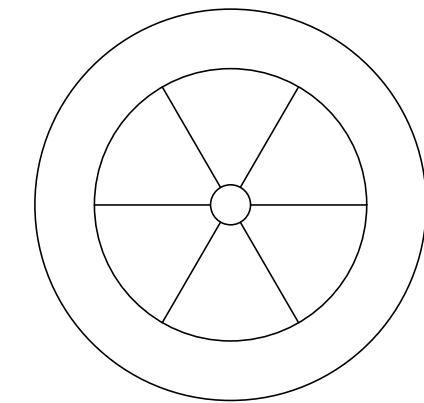


PP-41AP

SIDE VIEW



TOP VIEW



TANK GALLON CAPACITY: 3	WELDED BY:	UNLESS STATED OTHERWISE DIMENSIONS ARE IN INCHES	MATERIAL:			TITLE: T&C POINT OF USE TOP INLET TANK PIPING DETAILS	NT SERIES	REV:	 WWW.TANDCPLASTICS.COM 732-780-5300
TANK GALLON CAPACITY WITH LIMESTONE: 1	COMPLETED BY:		WEIGHT [lb]:	NAME	DATE		SHEET 1 OF 1	SIZE:	
LIMESTONE REQUIRED: 50 LBS.	REVIEWED BY:		DO NOT SCALE DRAWING	CHECKED	08/30/2022		SCALE: 1:2		
THE INFORMATION CONTAINED IN THIS DRAWING IS THE SOLE PROPERTY OF TOWN & COUNTRY PLASTICS LLC. ANY REPRODUCTION IN PART OR AS A WHOLE WITHOUT THE WRITTEN PERMISSION OF TOWN & PLASTICS LLC IS PROHIBITED.									

4

3

2

1

Individual / Point of Use Acid Neutralization Tank Specification

Option 1 – Side Inlet and Outlet:

1. 1a. Tank shall be constructed of molded seamless High-Density Polyethylene (HDPE) conforming to ASTM specification D-1248. Tank shall be Town & Country Plastics, LLC model #NT-5 / HDPE, 5-gallon capacity. Unit shall have 1-1/2" side inlet and 1-1/2" side outlet with bolted and gasketed cover. (INSERT 2" IF NEEDED)
2. 1b. Tank shall be constructed of molded seamless High-Density Polyethylene (HDPE) conforming to ASTM specification D-1248. Tank shall be Town & Country Plastics, LLC model #NT-5A / HDPE, 5-gallon capacity. Unit shall have 1-1/2" side inlet and 1-1/2" side outlet with 8" threaded easy access in bolted and gasketed cover. (INSERT 2" IF NEEDED)
3. Provide initial fill of limestone for all units, and two additional fills for maintenance. Proper limestone chips shall be 1" – 3' diameter containing at least 90% calcium carbonate (Town & Country Plastics Model RLS-50).
4. Provide Town & Country Plastics Model PP-19MT polypropylene tailpiece and Model PP-31 polypropylene elbow for each tank to connect sink strainer to tank inlet. (Specify pp-21mt / pp-30 for 2" fittings)

Contractor shall install all equipment and components in accordance with manufacturers recommendations

Option 2 – Top Inlet and Side Outlet for Tight Spaces:

1. Tank shall be constructed of molded seamless High-Density Polyethylene (HDPE) conforming to ASTM specification D-1248. Tank shall be Town & Country Plastics, LLC model #NT-5M /HDPE-2, 5-gallon capacity. Unit shall have female top inlet and male IPS threaded side outlet. partial PP flat cover to be bolted and gasketed on one side, the other side to be welded closed with inlet in this side provide with stainless steel nuts, bolts and washers and neoprene gasket material.
2. Provide initial fill of limestone for all units, and two additional fills for maintenance. Proper limestone chips shall be 1" – 3' diameter containing at least 90% calcium carbonate (Town & Country Plastics Model RLS-50).
3. Provide Town & Country Plastics Model PP-19MT polypropylene tailpiece for each tank, to connect sink strainer to inlet of neutralization tank. (Specify pp-21mt for 2" fittings)

Contractor shall install all equipment and components in accordance with manufacturers recommendations

*For Sink Strainers, please specify Model pp-41ap for 1 ½" sink outlets, and Model pp-40am for 2" sink outlets.

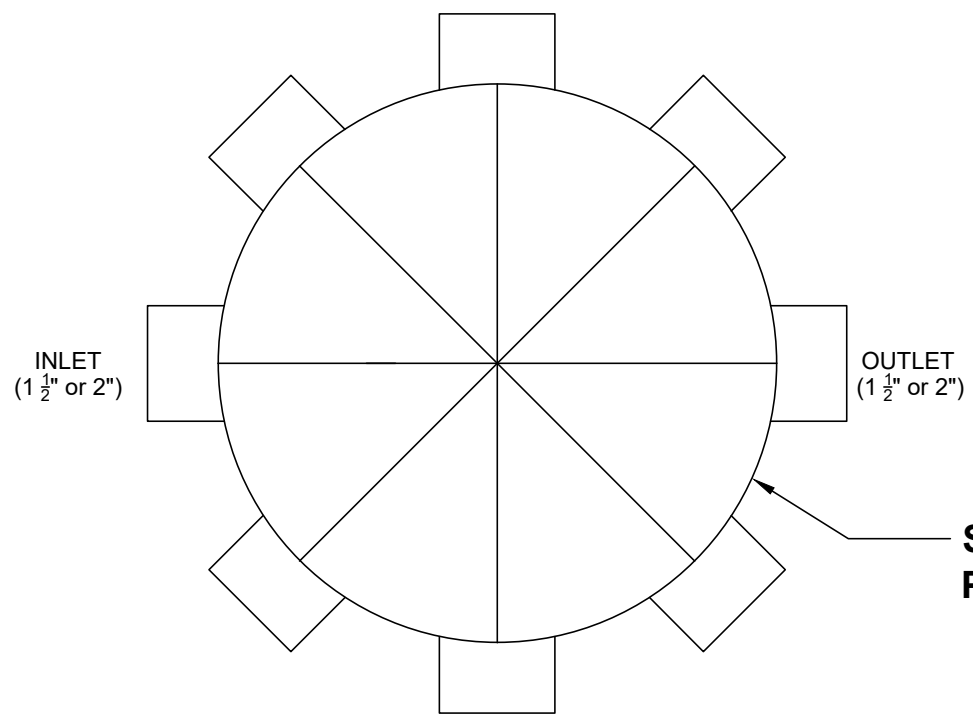
4

3

2

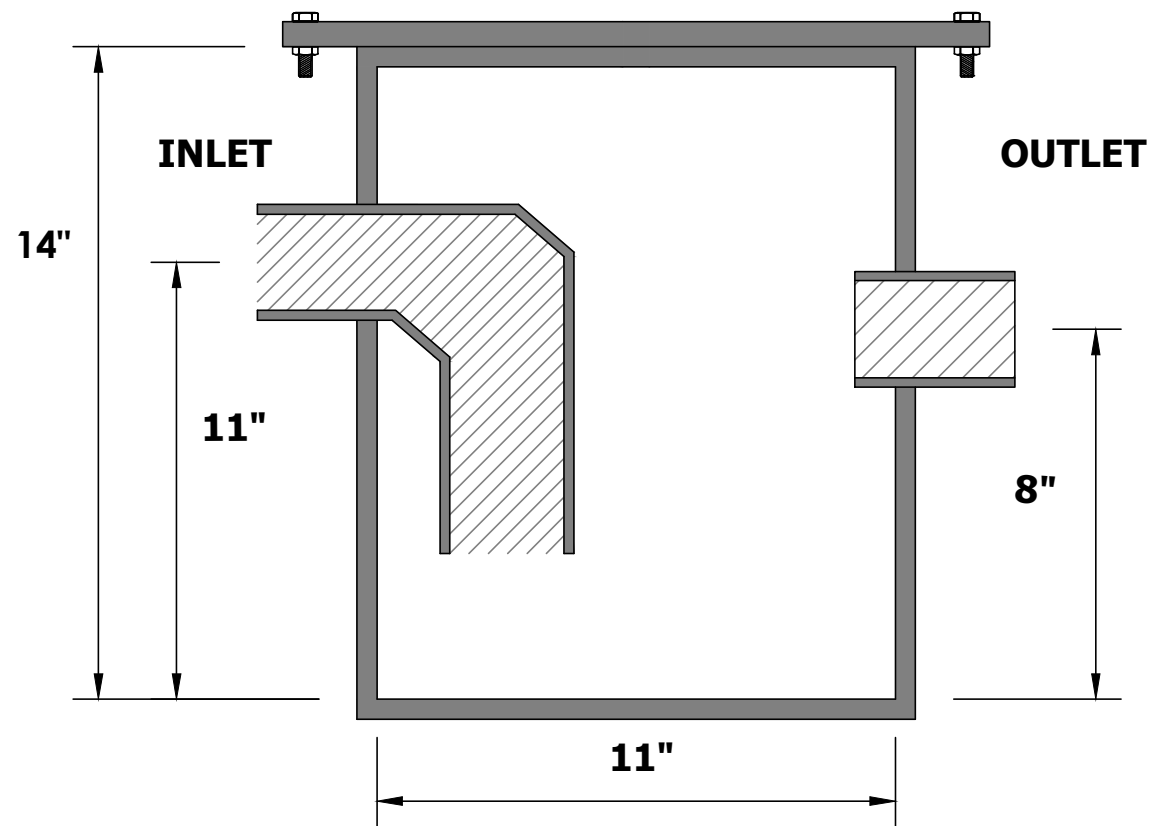
1

TOP VIEW

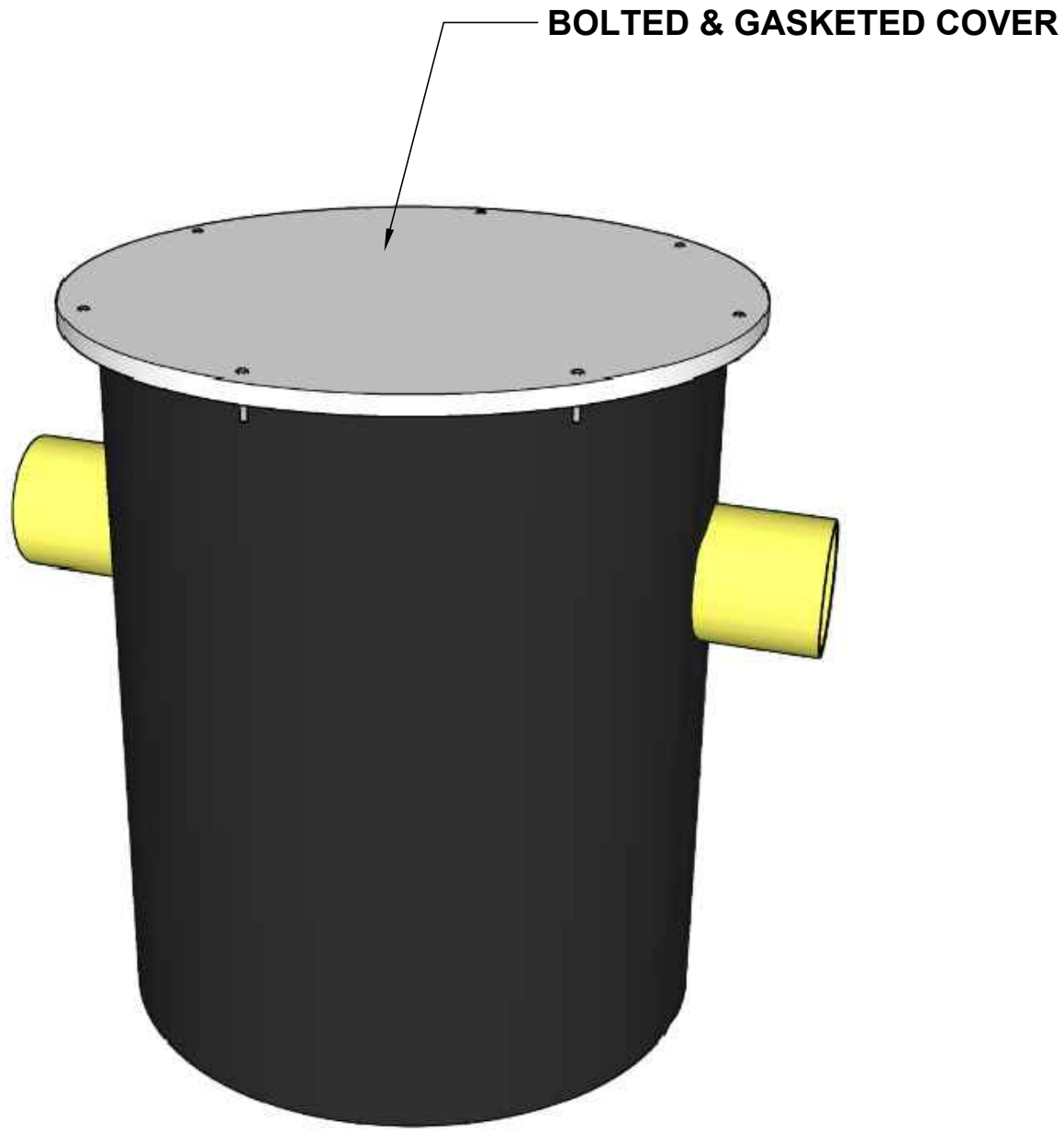


	FITTING SIZE	FITTING TYPE (MPT OR PLAIN END)	STANDARD FITTING CENTERLINES	FITTING CENTERLINE (IF DIFFERENT THAN STANDARD)
INLET	1 1/2" or 2"		11"	
OUTLET	1 1/2" or 2"		8"	

STANDARD FITTING LOCATIONS SHOWN. PLEASE MAKE NECESSARY CHANGES ON TOP VIEW



SECTION VIEW



USEABLE TANK CAPACITY: 3 GALLONS	WELDED BY:	UNLESS STATED OTHERWISE DIMENSIONS ARE IN INCHES	MATERIAL: HDPE - ASTM 2148			TITLE: NT-5 / HDPE NEUTRALIZATION TANK	NT SERIES	REV:	 WWW.TANDCPLASTICS.COM 732-780-5300
USEABLE TANK CAPACITY WITH LIMESTONE: 1 GALLON	COMPLETED BY:		WEIGHT [lb]: 10 LBS.	NAME	DATE		SHEET 1 OF 1	SIZE:	
LIMESTONE REQUIRED: 50 LBS.	REVIEWED BY:		DO NOT SCALE DRAWING	DRAWN	DR		08/30/2022	CHECKED	
THE INFORMATION CONTAINED IN THIS DRAWING IS THE SOLE PROPERTY OF TOWN & COUNTRY PLASTICS LLC. ANY REPRODUCTION IN PART OR AS A WHOLE WITHOUT THE WRITTEN PERMISSION OF TOWN & PLASTICS LLC IS PROHIBITED.									

4

3

2

1

D

D

C

C

B

B

A

A

4

3

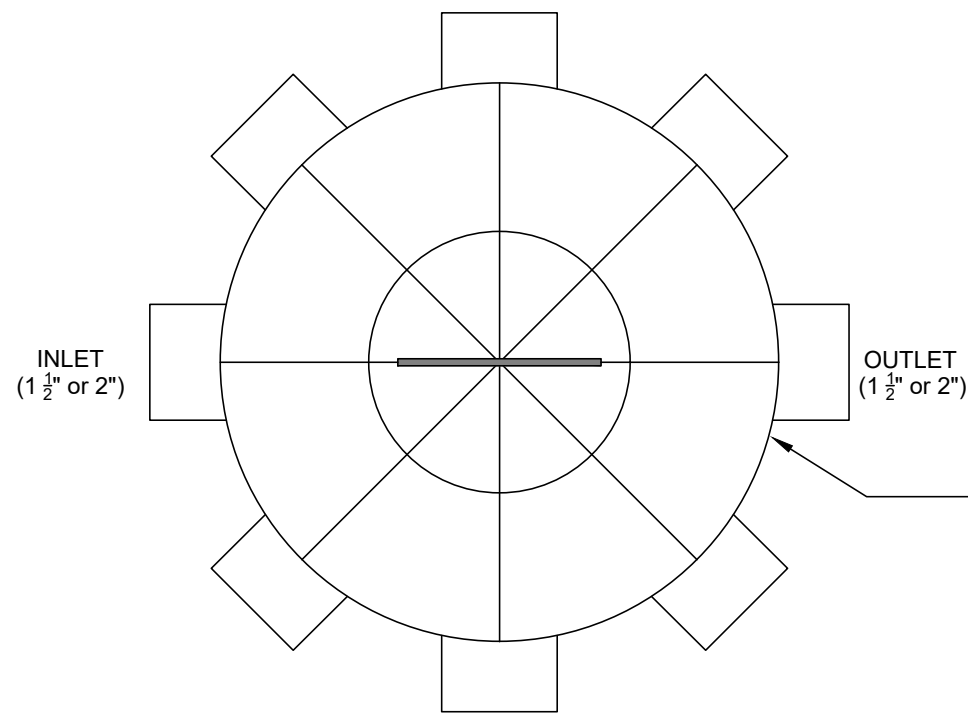
2

1

D

D

TOP VIEW



	FITTING SIZE	FITTING TYPE (MPT OR PLAIN END)	STANDARD FITTING CENTERLINES	FITTING CENTERLINE (IF DIFFERENT THAN STANDARD)
INLET	1 1/2" or 2"		11"	
OUTLET	1 1/2" or 2"		8"	

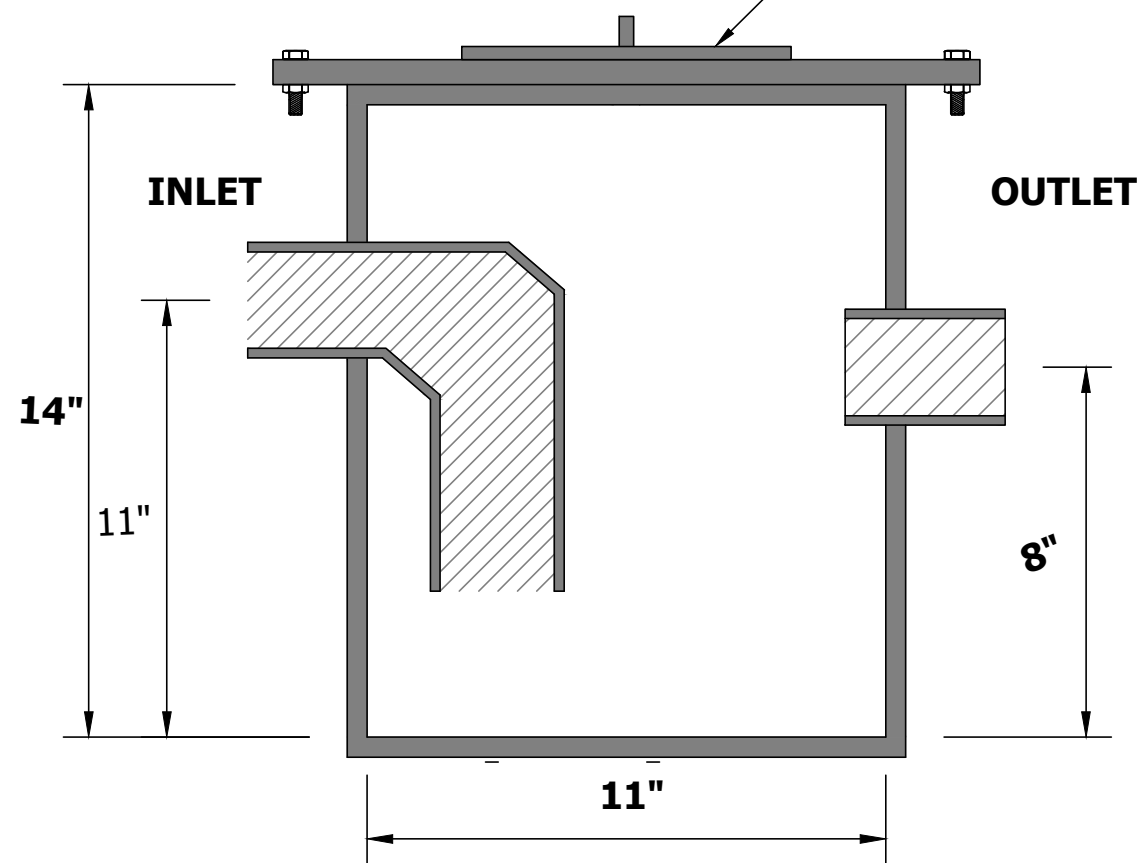
STANDARD FITTING LOCATIONS SHOWN. PLEASE MAKE NECESSARY CHANGES ON TOP VIEW

C

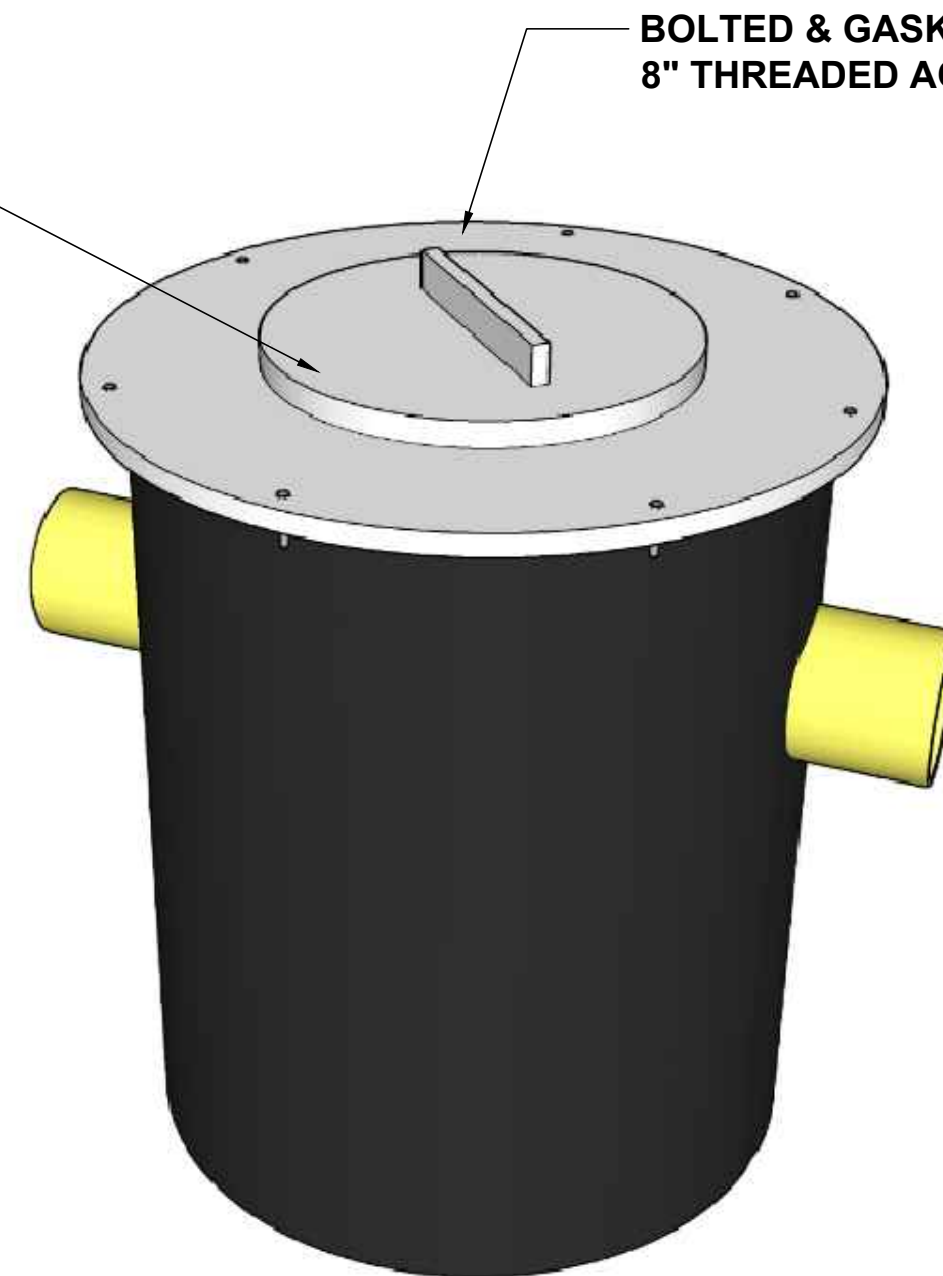
C

8" THREADED ACCESS COVER FOR EASY SERVICING

BOLTED & GASKETED COVER WITH 8" THREADED ACCESS COVER



SECTION VIEW



B

B

A

A

USEABLE TANK CAPACITY: 3 GALLONS	WELDED BY:	UNLESS STATED OTHERWISE DIMENSIONS ARE IN INCHES	MATERIAL: HDPE - ASTM 2148			TITLE: NT-5A / HDPE NEUTRALIZATION TANK	NT SERIES	REV:	 WWW.TANDCPLASTICS.COM 732-780-5300	
USEABLE TANK CAPACITY WITH LIMESTONE: 1 GALLON	COMPLETED BY:		WEIGHT [lb]: 10 LBS.	DRAWN	NAME		DATE	SHEET 1 OF 1		SIZE:
LIMESTONE REQUIRED: 50 LBS.	REVIEWED BY:		DO NOT SCALE DRAWING	CHECKED				SCALE: 1:2		
THE INFORMATION CONTAINED IN THIS DRAWING IS THE SOLE PROPERTY OF TOWN & COUNTRY PLASTICS LLC. ANY REPRODUCTION IN PART OR AS A WHOLE WITHOUT THE WRITTEN PERMISSION OF TOWN & PLASTICS LLC IS PROHIBITED.										

4

3

2

1

4

3

2

1

D

D

C

C

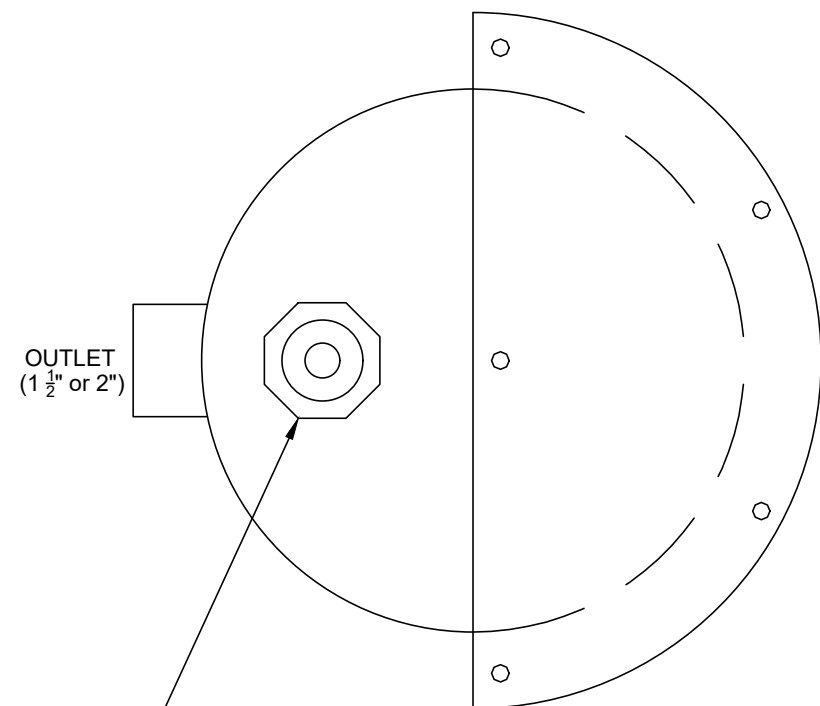
B

B

A

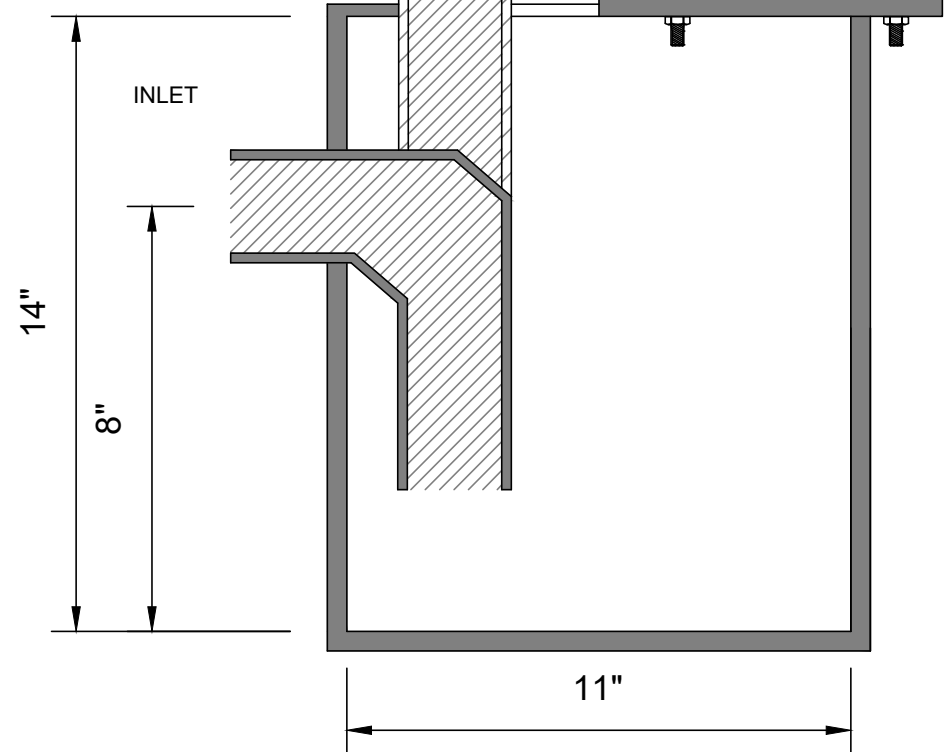
A

TOP VIEW



	FITTING SIZE	FITTING TYPE (OUTLET) (MPT OR PLAIN END)
INLET	1 1/2" OR 2"	
OUTLET	1 1/2" OR 2"	
NOTES		

PP-19MT OR
PP-21 MT TAILPIECE



SECTION VIEW

BOLTED & GASKETED HALF-COVER



TANK GALLON CAPACITY: 3	WELDED BY:	UNLESS STATED OTHERWISE DIMENSIONS ARE IN INCHES	MATERIAL: HDPE - ASTM 2148			TITLE: NT-5M / HDPE-2 TOP INLET NEUTRALIZATION TANK	NT SERIES	REV:	T&C PLASTICS WWW.TANDCPLASTICS.COM 732-780-5300	
TANK GALLON CAPACITY WITH LIMESTONE: 1	COMPLETED BY:		WEIGHT [lb]: 10 LBS.	NAME	DATE			SHEET 1 OF 1		SIZE:
LIMESTONE REQUIRED: 5 LBS.	REVIEWED BY:		DO NOT SCALE DRAWING	CHECKED	08/30/2022			SCALE: 1:2		
THE INFORMATION CONTAINED IN THIS DRAWING IS THE SOLE PROPERTY OF TOWN & COUNTRY PLASTICS LLC. ANY REPRODUCTION IN PART OR AS A WHOLE WITHOUT THE WRITTEN PERMISSION OF TOWN & PLASTICS LLC IS PROHIBITED.										

4

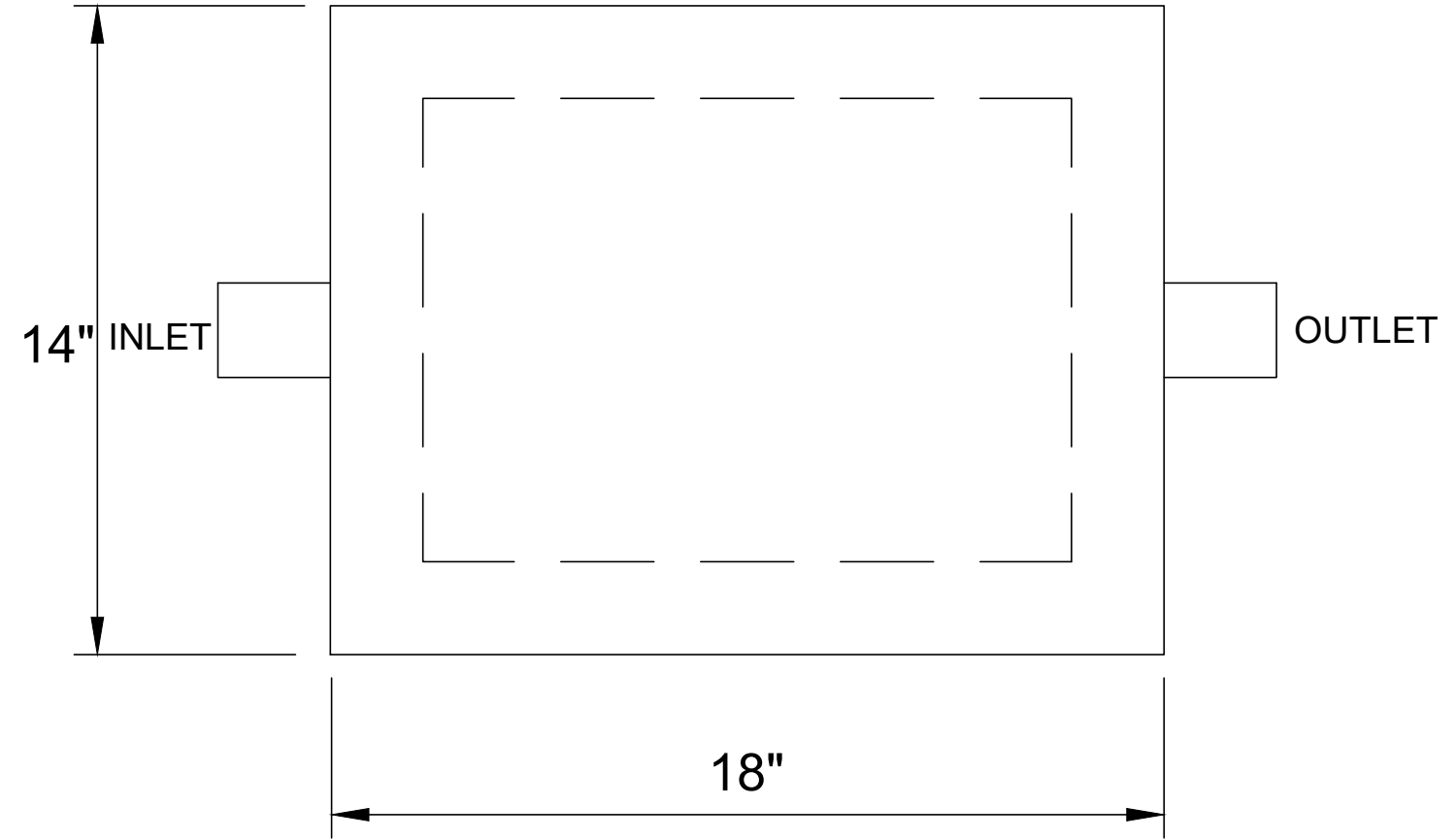
3

2

1

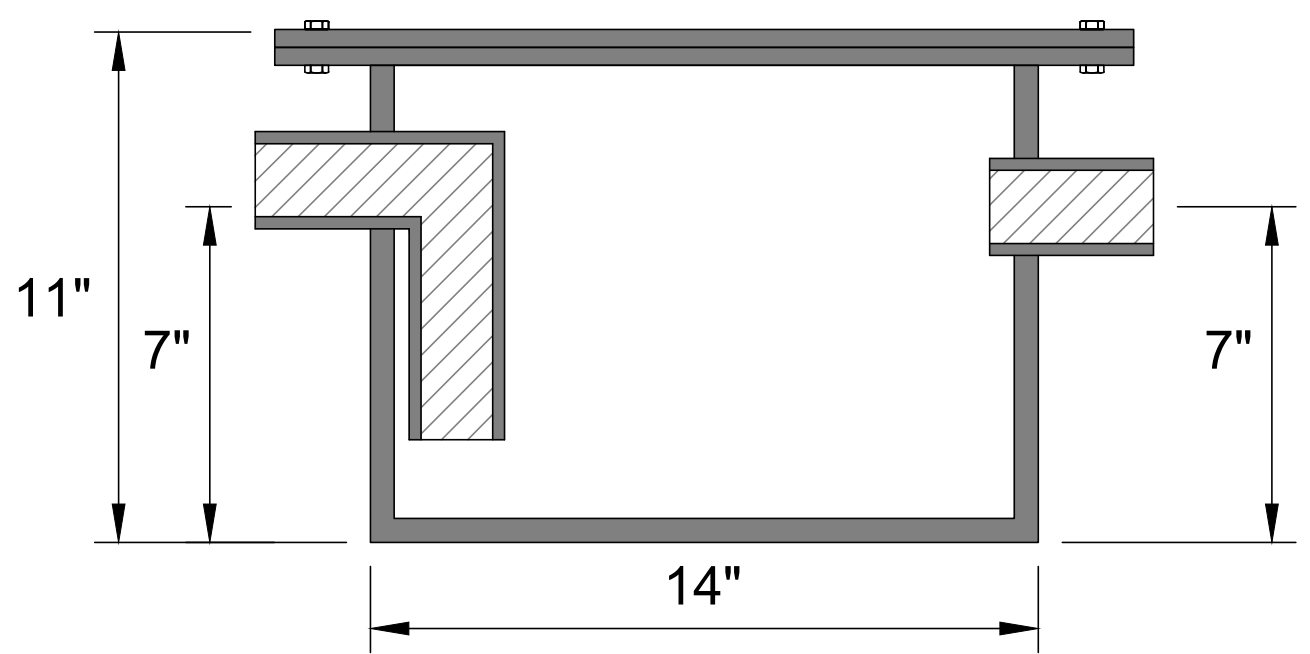
4 | 3 | 2 | 1

D | TOP VIEW | D

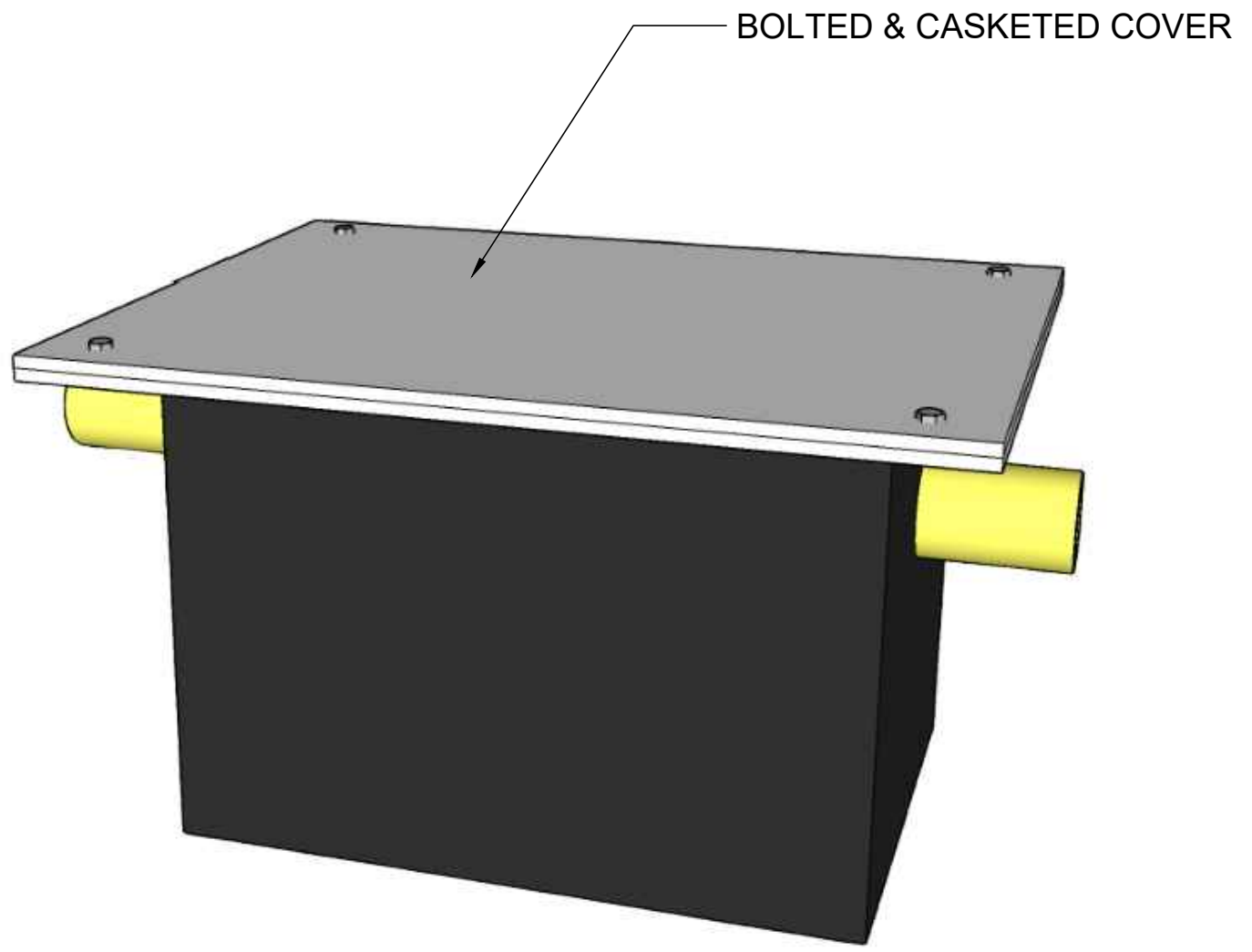


	FITTING SIZE	FITTING TYPE (MPT OR PLAIN END)	FITTING CENTERLINE	FITTING CENTERLINE (IF DIFFERENT THAN STANDARD)
INLET	1 1/2" OR 2"		7"	
OUTLET	1 1/2" OR 2"		7"	
NOTES				

C | SECTION VIEW | C



SECTION VIEW



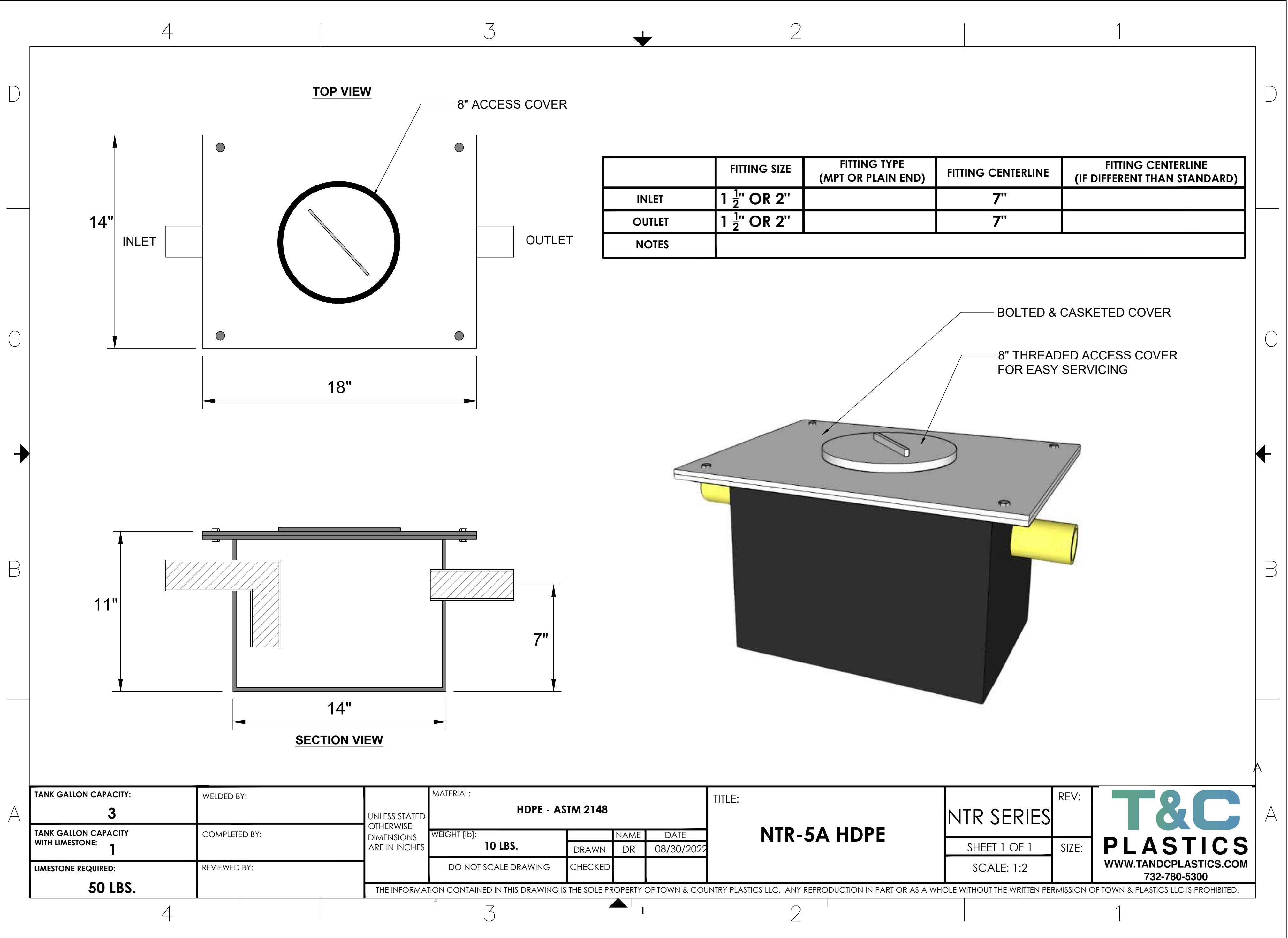
B | BOLTED & CASKETED COVER | B

A | A

TANK GALLON CAPACITY: 3	WELDED BY:	UNLESS STATED OTHERWISE DIMENSIONS ARE IN INCHES	MATERIAL: HDPE - ASTM 2148			TITLE: NTR-5 HDPE NEUTRALIZATION TANK	NTR SERIES	REV:	 WWW.TANDCPLASTICS.COM 732-780-5300
TANK GALLON CAPACITY WITH LIMESTONE: 1	COMPLETED BY:		WEIGHT [lb]: 10 LBS.	NAME	DATE	SHEET 1 OF 1	SIZE:		
LIMESTONE REQUIRED: 50 LBS.	REVIEWED BY:		DO NOT SCALE DRAWING	DRAWN	DR	SCALE: 1:2			

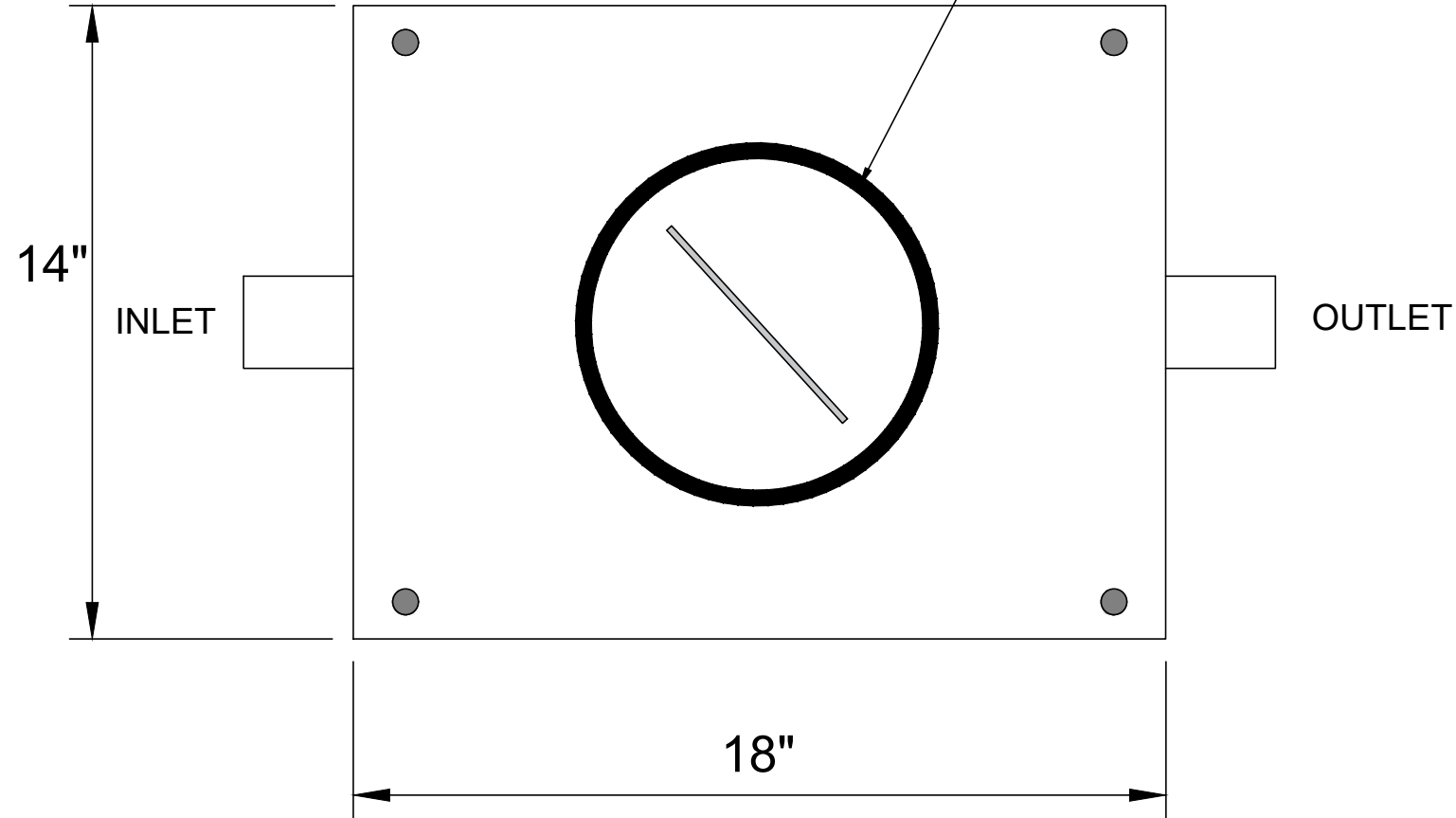
THE INFORMATION CONTAINED IN THIS DRAWING IS THE SOLE PROPERTY OF TOWN & COUNTRY PLASTICS LLC. ANY REPRODUCTION IN PART OR AS A WHOLE WITHOUT THE WRITTEN PERMISSION OF TOWN & PLASTICS LLC IS PROHIBITED.

4 | 3 | 2 | 1



TOP VIEW

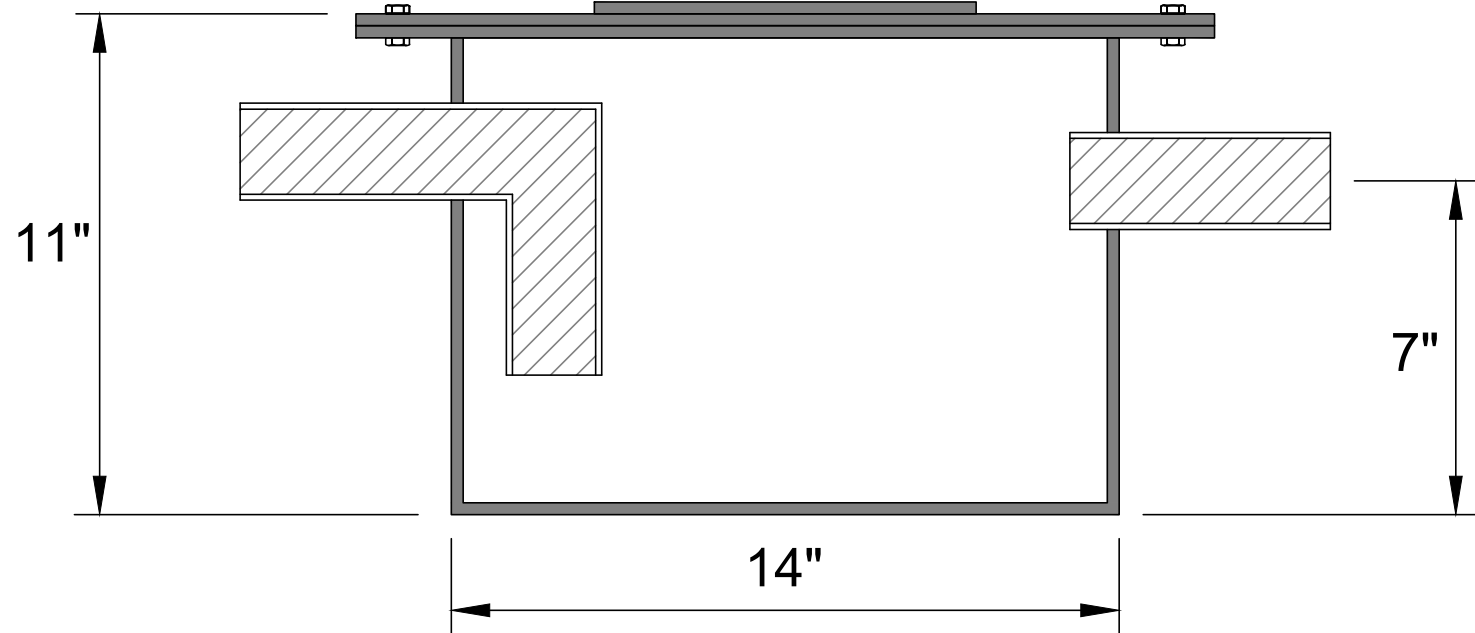
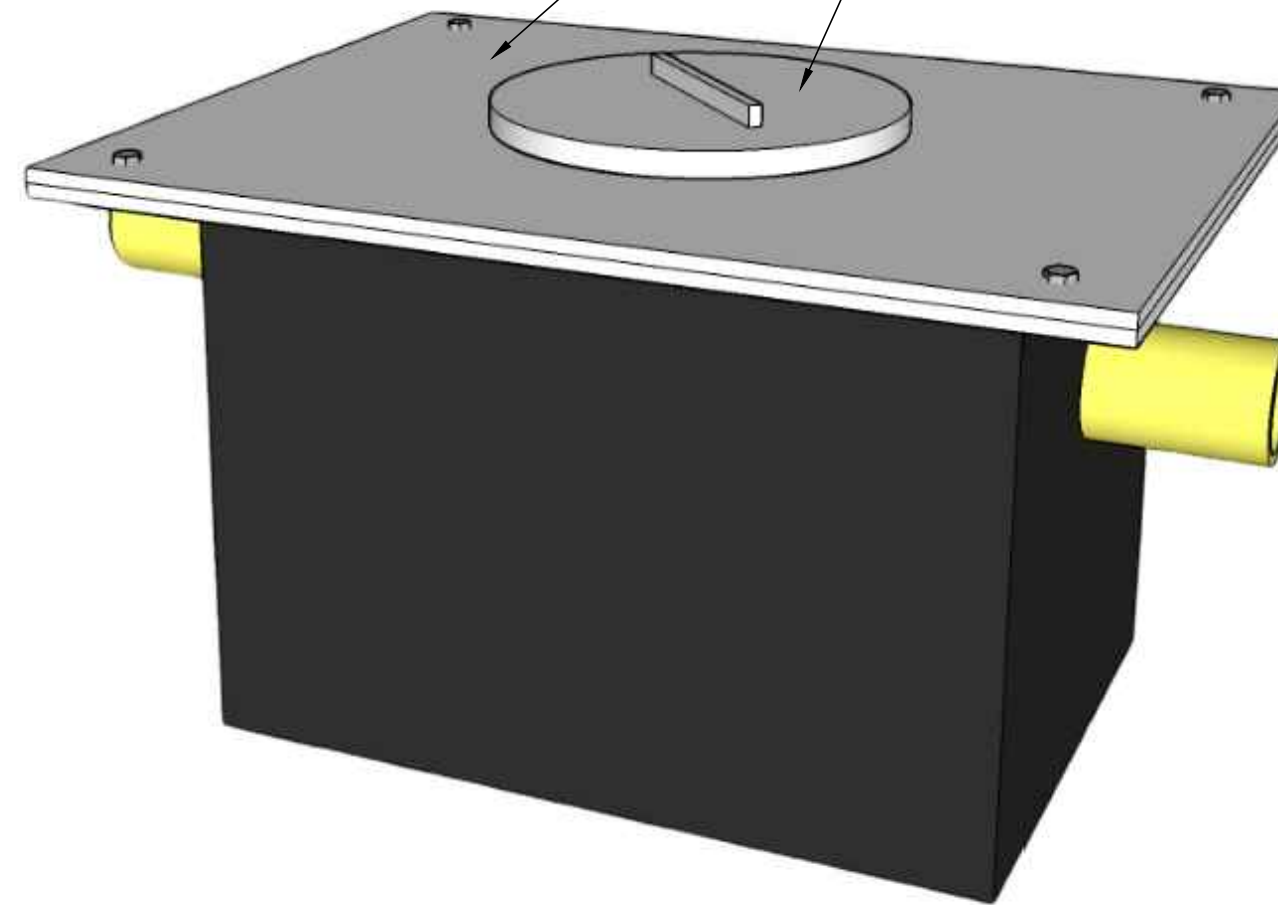
8" ACCESS COVER



	FITTING SIZE	FITTING TYPE (MPT OR PLAIN END)	FITTING CENTERLINE	FITTING CENTERLINE (IF DIFFERENT THAN STANDARD)
INLET	1 1/2" OR 2"		7"	
OUTLET	1 1/2" OR 2"		7"	
NOTES				

BOLTED & CASKETED COVER

8" THREADED ACCESS COVER FOR EASY SERVICING



SECTION VIEW

TANK GALLON CAPACITY: 3	WELDED BY:	UNLESS STATED OTHERWISE DIMENSIONS ARE IN INCHES	MATERIAL: HDPE - ASTM 2148			TITLE: NTR-5A HDPE	NTR SERIES	REV:	T&C PLASTICS WWW.TANDCPLASTICS.COM 732-780-5300	
TANK GALLON CAPACITY WITH LIMESTONE: 1	COMPLETED BY:		WEIGHT [lb]: 10 LBS.	NAME	DATE			SHEET 1 OF 1		SIZE:
LIMESTONE REQUIRED: 50 LBS.	REVIEWED BY:		DO NOT SCALE DRAWING	DRAWN	DR			08/30/2022		CHECKED
THE INFORMATION CONTAINED IN THIS DRAWING IS THE SOLE PROPERTY OF TOWN & COUNTRY PLASTICS LLC. ANY REPRODUCTION IN PART OR AS A WHOLE WITHOUT THE WRITTEN PERMISSION OF TOWN & PLASTICS LLC IS PROHIBITED.										