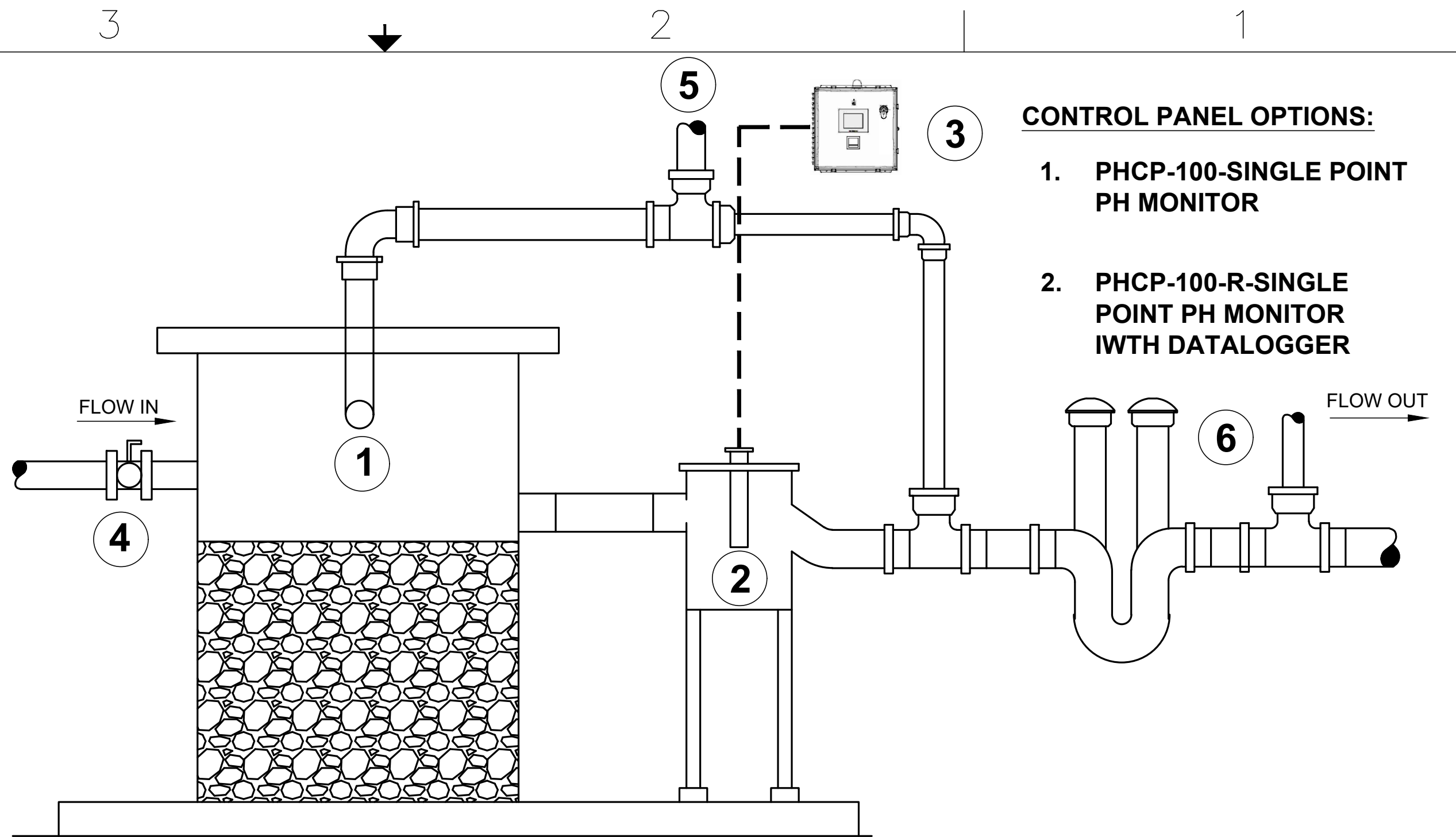


SPECIFICATIONS:

1. ACID NEUTRALIZATION TANK T&C PLASTICS MODEL # _____ WITH MODEL RLS-50 LIMESTONE CHIPS.
2. SAMPLING TANK T&C PLASTICS MODEL NT- _____ WITH PH ELECTRODE.
3. PH MONITORING PANEL T&C PLASTICS PHCP-100 SERIES - SEE TOP RIGHT FOR OPTIONS.
4. POLYPROPYLENE SHUT OFF VALVE T&C PLASTICS MODEL PPV- _____.
5. ACID WASTE VENT OUT.
6. SANITARY HOUSE TRAP OR RUNNING TRAP WITH SANITARY VENT.

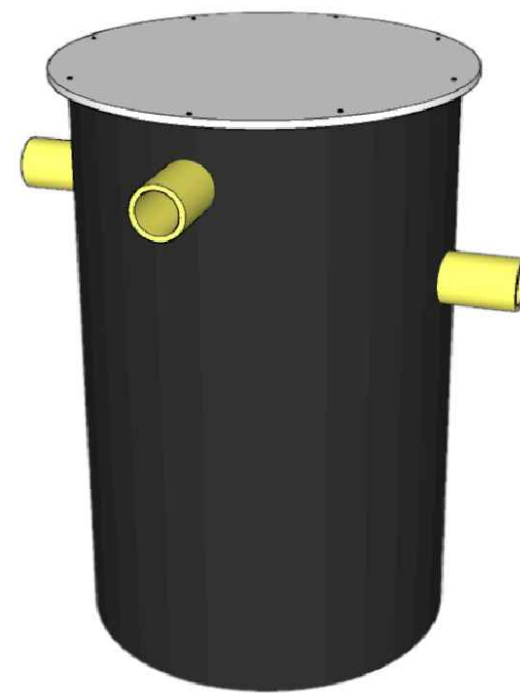
CONTROL PANEL OPTIONS:

1. PHCP-100-SINGLE POINT PH MONITOR
2. PHCP-100-R-SINGLE POINT PH MONITOR WITH DATALOGGER

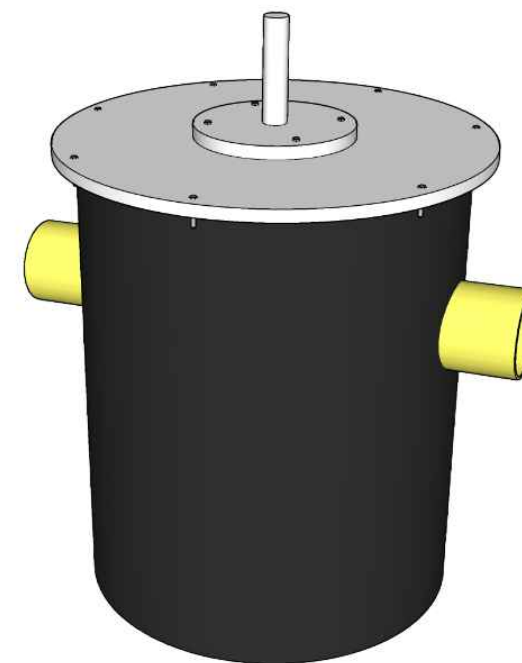


NOTES:

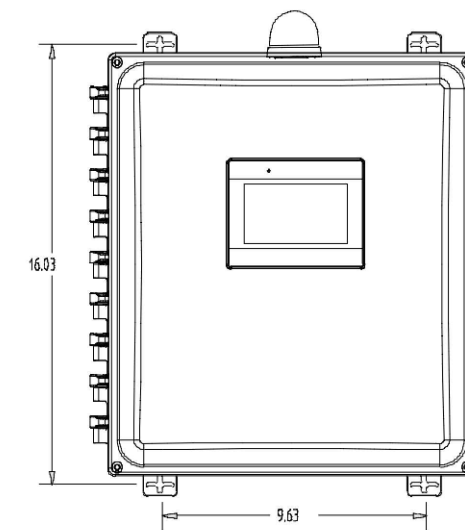
- A. THE PLUMBING CONTRACTORS SHALL FURNISH AND INSTALL THE ACID NEUTRALIZATION TANK, LIMESTONE CHIPS, SAMPLING TANK, PH MONITORING ALARM SYSTEM, AND MAKE ALL REQUIRED PIPING CONNECTIONS.
- B. THE ELECTRICAL CONTRACTOR TO PROVIDE ELECTRIC POWER TO CONTROL PANEL AND ANY NECESSARY CONDUIT FOR SENSORS OR ELECTRODE WIRES.
- C. STAND FOR SAMPLING TANK BY OTHERS.



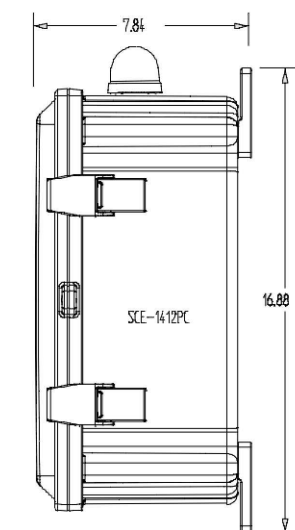
NT TANK



NT-5M SAMPLING TANK



PH MONITORING CONTROL PANEL



NOTES:	MATERIAL: HDPE / PP			TITLE: METHOD 1B STANDARD INSTALLATION	REV: NT SERIES	 WWW.TANDCPLASTICS.COM 732-780-5300		
	UNLESS STATED OTHERWISE DIMENSIONS ARE IN INCHES	WEIGHT [lb]:					NAME: DR	DATE: 12/05/2022
		DO NOT SCALE DRAWING					CHECKED:	
		THE INFORMATION CONTAINED IN THIS DRAWING IS THE SOLE PROPERTY OF TOWN & COUNTRY PLASTICS LLC. ANY REPRODUCTION IN PART OR AS A WHOLE WITHOUT THE WRITTEN PERMISSION OF TOWN & PLASTICS LLC IS PROHIBITED.						